

Ultrasonic Humidifier Clean Air Optima® CA-607B

User manual
Gebrauchsanweisung
Gebruiksaanwijzing
Mode d'emploi
Manual del usuario
Manual de utilizare
Uživatelská příručka
Naudotojo vadovas

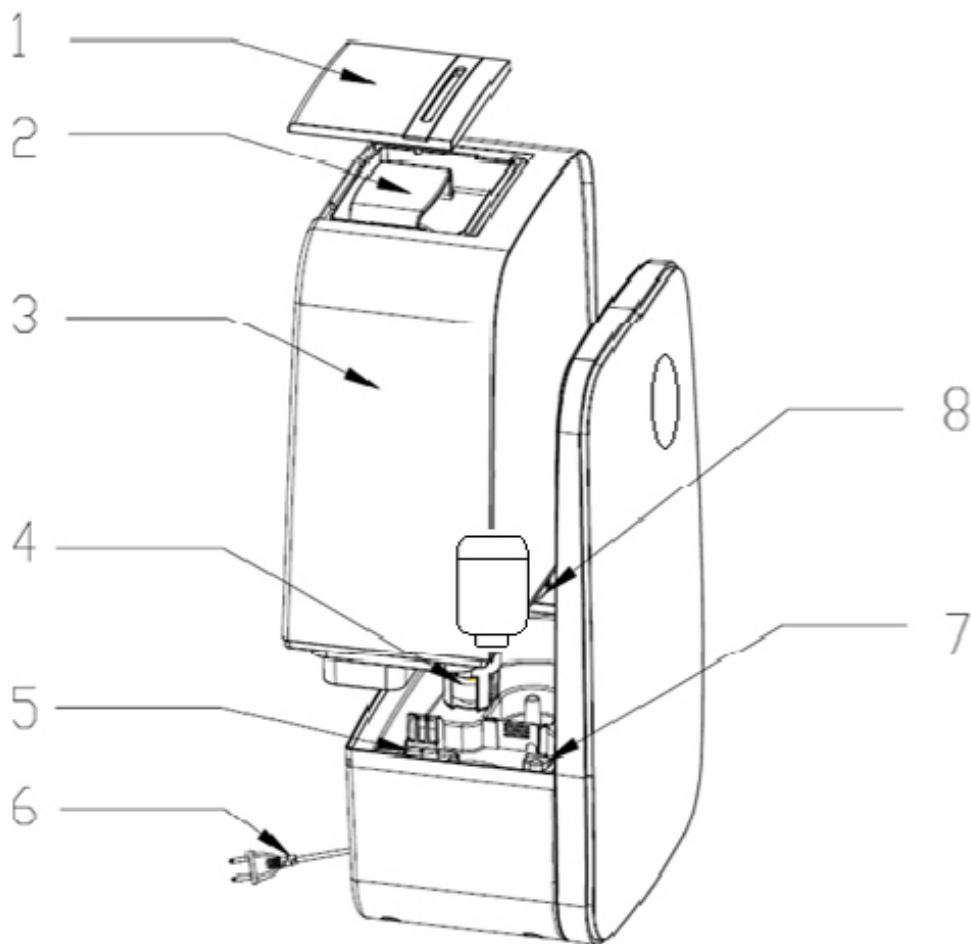
Find more languages on:
[www.cleanairoptima.com/
info/manuals](http://www.cleanairoptima.com/info/manuals)

Brukermanual
Användarmanual
Ohjekirja
Brugermanual
Manuale d'uso
Manual do usuário
Uputstvo za upotrebu
Korisnički priručnik
Használati utasítás
Kullanım kılavuzu
Instrukcja obsługi
Kasutusjuhend
Мануал
Lietošanas pamācība
Руководство пользователя
Прирачник за користење
Посібник користувача
Ръководство за потребителя

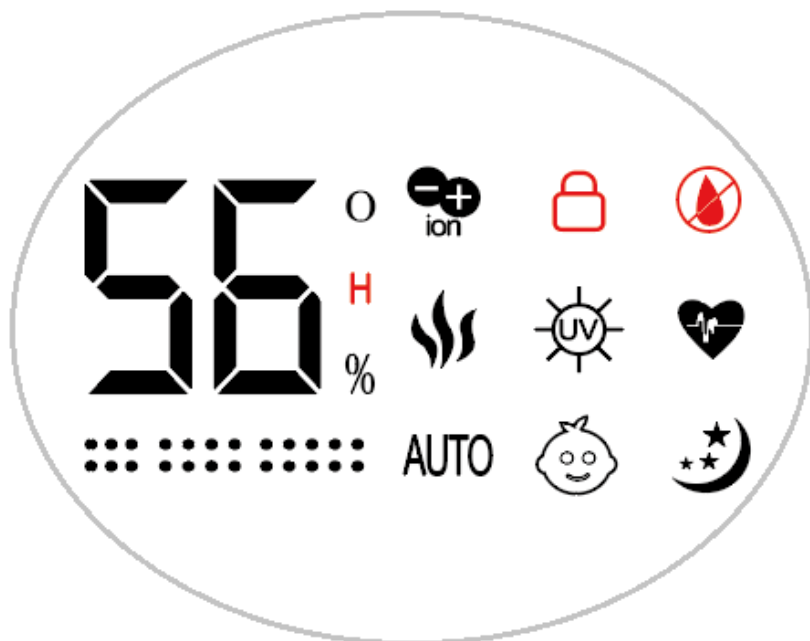


Read these instructions carefully before you start using the Ultrasonic Humidifier and keep the manual for later usage.

CA-607B / Main unit



CA-607B / Display



English

Thank you for purchasing the Clean Air Optima® Ultrasonic Humidifier CA-607B.

We wish you many years of healthy indoor air with this efficient and effective product.

These instructions describe the safety precautions to be observed during operation. They are meant to prevent injuries and to avoid damaging the device.

Description of the device

The device consists of the following main components:

1. Mist nozzle
2. Handle
3. Water tank
4. Float
5. Aroma box
6. Power cord
7. PTC heating element
8. Water tank lid and filter

Safety warnings

This device may only be used in accordance with these safety instructions. Take the following steps to minimize the risk of personal injury caused by for example electric shocks or fire.

1. Only for indoor use. Do not use or store outdoors.
2. Use proper voltage: AC 220V - 240V, 50/60Hz
3. The inner ultrasonic transducer is highly sensitive. Do not touch it with bare fingers or scrape it with metal tools, or it will reduce mist output. When cleaning this area please use a small cleaning brush, cotton swab or tooth brush. Do not use hot water as it may damage the misting parts.
4. The device is not intended to be used by children or persons with reduced physical-, sensory- or mental capabilities, unless they are supervised by a person responsible for their safety.
5. Children should be kept away unless continuously supervised.
6. To safely use the device, put it in a steady, horizontal position. Do not move while using.
7. To prevent interference and damage to other electronic devices, this machine should be placed at least 1 meter away from a computer, television, radio or other electronic equipment.
8. Do not use the device when there is visible damage on the electrical cord or on the device itself. Do not repair the device yourself in case of damage. Never pull the device by its cord. If the power cord is damaged, then it must be replaced by an authorized service person to prevent electric shock or fire.
9. Repairs may only be performed by authorized service personal. Do not try to repair the device yourself to prevent electric shock or fire.
10. Always remove the plug from the socket when the device is not being used or when you clean internal or external parts of it.
11. Remove the water tank before moving the device.
12. Only use power cords provided.
13. Do not use the device in rooms where inflammable liquids or gases are stored, close to heat sources or in particularly humid rooms like the bathroom, shower or swimming pool.
14. To prevent malfunctions, never insert strange objects into the device.
15. Never disassemble or replace the device's inner parts.
16. Do not place the device in direct sunlight, to avoid that the device discolours.
17. Never immerse the unit in water or other liquids.
18. Do not touch the power cord with wet hands.
19. Do not touch the warm mist closely.
20. Clean and dry the device before storage (including the removal of all water from the inside of the device). Store the machine in a cool and dry place outside the reach of children.
21. Do not clean the water sink when the water is still hot.
22. Use, maintain and clean the device as described in this manual.

Operating instructions

Before getting started, remove the Clean Air Optima[®] CA-607B from its box and allow it to become accustomed to the room temperature for at least 30 minutes especially if the machine is cold from the outside air. Place the device on a solid, level and front water-insensitive surface, approx. 60 cm from the floor and at least 20 cm from the wall. The CA-607B is designed to operate at temperatures between 5 -40 °C and relative humidity of less than 80%.

To get started, grasp the **handle** at the top and lift from the base. Next, flip the tank over and unscrew and remove the **water tank lid and filter**.

Handle



Water tank lid and filter



Faucet for filling



Then place the water tank under the **faucet** for filling, grasping it from the handle under the water tank. Fill the tank with tap water (or other clean water source with water temperature under 40°C), re-insert the lid and filter. Flip the water tank once again until it is on the right side up. Ensure that the basin is clean and then carefully place the water tank back on the lower body.

Wait a few seconds until the water tank lid starts to release water into the basin. You will hear a bubbling sound as the air enters the water tank. Plug the power plug into a suitable power outlet, a signal sounds to indicate that your device is in standby mode. If the humidifier is switched on/off, the values for temperature (**margin of about 2-5 degrees difference from the room temperature**) and humidity will now be displayed.



Power Button:

Press the **Power Button** to activate the humidifier. The machine is now operating in manual mode. It will release cool mist on a constant basis with the mist intensity level automatically set to medium.



Manual Button:

The **Manual Button** changes the mist level (low, medium, high). There are 3 levels of mist output available.



Child Lock:

Child lock protects from unwanted use of the device.

The **Child Lock** is switched on / off by pressing the **Manual Button** for 3 seconds.



If the child lock is switched on, a red lock icon appears in the display.



Humidity Button:

Pressing the **Humidity Button**, you can select the desired humidity level by pressing this button repeatedly until the required humidity level is displayed (from 40% to 80% in increments of 5%). Once you select your desired humidity level, simply stop pressing the button and your humidity level will be set.

When the humidity level in the room reaches the set humidity level, the machine will go into automatic sleep state and stop producing mist after **1** minute. When the room's actual humidity level drops below your set humidity level, then the machine will start producing mist again.



Mode Button:

Pressing the **Mode Button** once, this will activate the Sleep mode, press 2 times for Auto, press 3 times for Baby, press 4 times for Health. (Sleep-Auto-Baby-Health-Sleep.....).



Sleep Mode:


When the sleep mode is activated, the display will turn off in 10 seconds. Only the sleep mode light is on.

AUTO Auto Mode:

Depending on the temperature, the humidifier sets the optimum humidity

Temperature of the air, degrees Celsius	Humidity %
19 and lower	65
20-21	60
22-23	55
24-25	50
26-27	45
28-29	40

- The device determines the temperature in the surrounding of the device (margin of about 2-5 degrees difference from the actual room temperature).
- The optimal humidity levels with different temperatures are taken from the data base of the device.
- The device works at maximum power until the optimal humidity is achieved.
- If the optimal humidity is achieved, then the humidification will stop.
- The device checks the accordance of the temperature level and the humidity level every 10 minutes.

 Baby Mode:

When the **Baby Mode** is activated, the device turns on the function of warm mist & UV-Light and starts to achieve 55% humidity at maximum power. If the 55% humidity is achieved, then the humidification will stop. The device checks the humidity level every 10 minutes.

 Health Mode:

When the **Health Mode** is activated, the device turns on the function of warm mist & UV-Light, it will calculate the optimal humidity and starts to achieve it at maximum power. The optimal humidity in Health Mode is calculated as in the Auto Mode, the only difference is that the device adds 5% to the result.

Example:

Optimal humidity in Auto Mode = 50%, Optimal humidity in Health Mode = 50 + 5 = 55%

When the optimal humidity level is achieved, then the humidification will stop. The device checks the accordance of the temperature level and the humidity level every 15 minutes.



Negative Ion Button:

Pressing the **Negative Ion Button** will activate the negative ion generator with a total capacity of > 3.000.000 negative ions / cm³ that are spread through out the entire room and thereby neutralize pollutants and smells. Negative ions attach onto dust particles, microorganisms and other unwanted particles in the air and connect them to each other. This way, the particles become heavier than air and fall onto the ground so that you can no longer breathe them in.

Negative ions are most found in the forest, mountains and by the sea. Negative ions ensures fresh and healthy air.



Timer Button:

Pressing the **Timer Button** sets the timer. The timer function determines how many hours the humidifier will operate. You can set the timer simply by pressing it once for each hour that you would like to run the device. The timer can be set from 1 hour to 12 hours. As time passes, the time value decreases until it goes to 00:00 and the device shuts off.




Heating Button:

Pressing the **Heating Button** activates the warm mist function and is shown on the LED display with three wavy vertical lines. The water is heated in the basin by a PTC heating element and will be heated up by over 65 degrees for killing effective bacteria (Legionella). Heating the water makes the mist output finer for faster and more efficient humidification.



UV-Light Button:

Hold the **UV-Light Button** for 3 seconds, the device starts the UV Sterilization function, which kills the bacteria in the mist output airflow, before the mist enters into the room. The UV-Light icon  is shown on the LED display. Press the button again and hold it for 3 seconds to stop the UV-light function.

Automatic shutdown when water tank is empty

Should the water tank be empty, a threefold acoustic signal sounds. The corresponding



symbol lights up in the display while the remaining indicators go out. The device will automatically stop humidifying. In this case, turn off the device with the ON / OFF button. Let the device cool down before pouring any more water in the tank.

Caution: The device and the water in the nebulisation chamber (basin) might be very hot. When lifting the device or removing the water tank right after operation you risk scalding yourself with the hot water!

Ensure that the water tank is always completely refilled.

Remote control

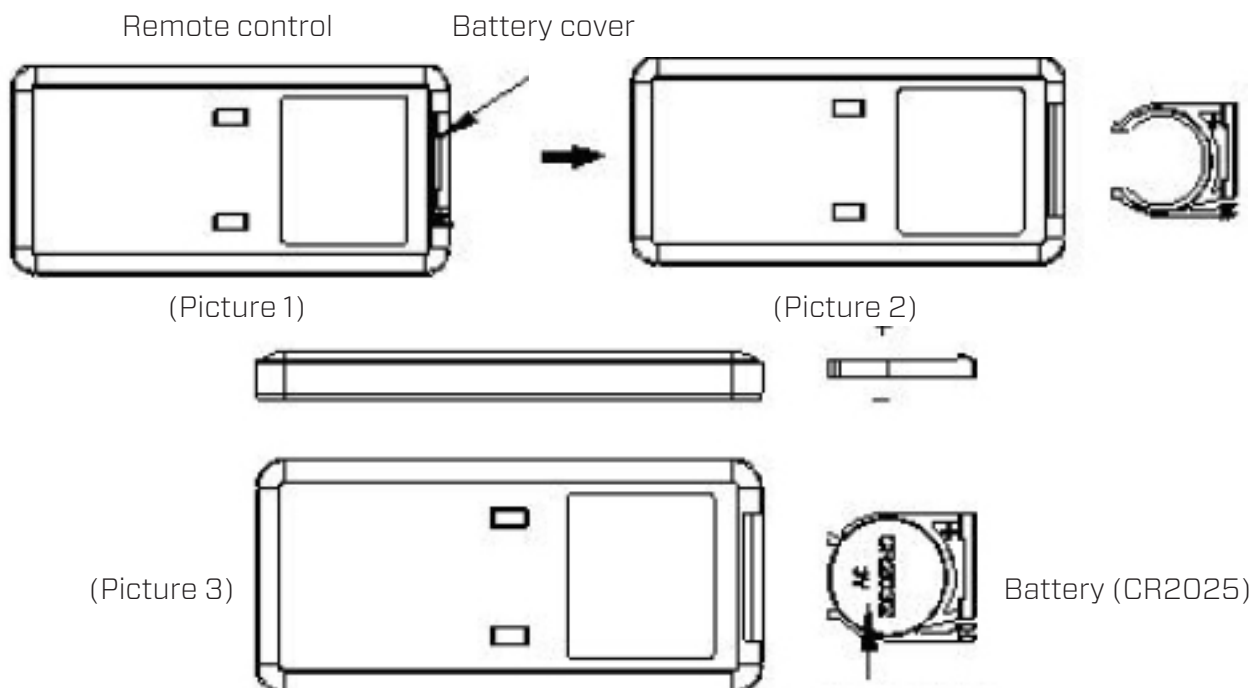
The buttons on your remote control:

1. Sleep mode
2. Auto mode
3. Baby mode
4. Health mode
5. Desired humidity
6. Min. / Max.
7. ON / OFF
8. Timer
9. Heating
10. UV-Light
11. Negative ions
12. Child lock



Replacing batteries in the remote control

1. Open the battery cover at the back side of remote control to place the battery. (see Picture 1).
2. To place the battery: there is a “security tab” at the bottom of the remote control that you first have to slide to the right and then pull out the battery holder. (see Picture 2). Insert the battery with the correct polarity. (see Picture 3).
3. Push the battery cover back into the remote control.



Preparation Clean Air Optima® Water Filter W-01B

The **Water Filter W-01B** reduces the limescale in the water and the undesirable emission of limescale particles into the room surroundings. Effective for one to three months, depending on the water hardness. Hard tap water accelerates saturation of the granulate faster so that the **Water Filter W-01B** must be replaced earlier.

1. Rinse the **Water Filter W-01B** for 2 minutes under cold running tap water.



2. Screw the **Water Filter W-01B** to the water tank lid.

Determining water hardness:

1. Dip the enclosed test strip into a glass of cold tap water for 1 second.



2. Read the water hardness teststrip after one minute.
3. Refer to the table to determine the expected duration of the **Water Filter W-01B**.

■ ■ ■ ■	= 3 months
■ ■ ■ ■	= 3 months
■ ■ ■ ■	= 2 months
■ ■ ■ ■	= 2 months
■ ■ ■ ■	= 1 months


Dispose of the saturated **Water Filter W-01B** with your regular household waste.

The **Water Filter W-01B** should not be used longer than specified.

You can order the **Water Filter W-01B** in our online store at www.cleanairoptima.com

Replacing the Clean Air Optima[®] Water Filter W-01B

The **Clean Air Optima CA-607B** is equipped with a filter lifespan surveillance mechanism that signals that the water filter have to be replaced after 400 working hours. To show that the

Water Filter W-01B need to be replaced, the humidifier emits a double zero  indicator light. Reset the timer for the water filter by pressing and holding the power button for about 3 seconds. If the indicator light goes out, the timer has been successfully reset.

Placing/Replacing the Clean Air Optima[®] Silver Ion SI-01

The **Silver Ion SI-01** uses the anti-microbial effect of silver, it prevents the growth of bacteria and smells in the water. The **Silver Ion SI-01** even works when your humidifier is switched off, so the water stays fresh.

Replace the **Silver Ion SI-01** at the start of the humidifier season or replace the **Silver Ion SI-01** after one year of usage.

Replacing the Silver Ion SI-01:

1. Grasp the water tank by the handle at the top and lift from the base.



2. Take out the used **Silver Ion SI-01**.



3. Insert the new **Silver Ion SI-01**.

Dispose of the **Silver Ion SI-01** with your regular household waste.

The **Silver Ion SI-01** should not be used longer than specified.

You can order the **Silver Ion SI-01** in our online store at www.cleanairoptima.com

Aromatherapy

Activating the aroma function:

- Remove the aroma tray from the bracket.
- Pour 5 - 10 drops of Clean Air Optima[®] essential oil onto the sponge.
- Put the aroma tray back into the bracket.
- When you turn on your air humidifier, the aroma function will be activated.
- If you want to deactivate the aroma function, or should the device not be in use for extended periods of time, remove the aroma sponge from the compartment and wash it with a little of mild soap water. Let it dry completely before placing it back in the aroma compartment. Basically, the aroma sponge is reusable.



Important

In order to reach the best results and to enjoy your ultrasonic air humidifier as much as possible, we advise to read carefully the following instructions regarding the use of essential oils in the ultrasonic air humidifier CA-607B.

Use of essential oils in the CA-607B

Use our high quality essential oils and enjoy your personal aromatherapy! A scent sensation at its highest level!

You can find high quality essential oils with many different scents in our assortment. They perfectly fit to the ultrasonic air humidifier CA-607B and have been specially developed for the use with this ultrasonic humidifier:



You can order the **Essential Oils** in our online store at www.cleanairoptima.com

Warning!

The use of other essential oils not made for this air humidifier or other additives (for example: fragrances and water purification products) can damage the air humidifier and must **NOT** be used! **Never put other pure essential oils or other additives into the water tank resp. the waterbasin! Even a small quantity can damage the plastic and cause cracks.**

The material is not made for the use of additives. One drop is enough to damage the water tank/ waterbasin and disable the device. Devices that are damaged through additives are excluded from the guarantee.

Cleaning and Maintenance

You can ensure many years of trouble free operation of your **Clean Air Optima[®] CA-607B** humidifier by following a few simple maintenance procedures. If your water is hard, containing high concentrations of calcium and other minerals, then over a period of time white dust will start to deposit on the various surfaces in the room. A white, film-like substance will also start to develop in the water basin, on the transducer and on the inner surface of the water tank. This white film will impede the proper function of the transducer and the operation of the machine.

We recommend the following

1. If you are using the device on a daily basis, clean the transducer, water tank and basin once a week.
2. When the water tank needs a refill, empty the remaining water from the tank and fill it with fresh water.
3. Clean the whole device and make sure to keep all the parts completely dry when the device is not in use.

How to clean the transducer

1. Place 5-10 drops of vinegar on the surface of the transducer and wait for 2-5 minutes.
2. Using a small brush, cotton swab or tooth brush, gently clean the mineral film from the surface of the transducer.
3. Rinse the transducer with clean water.
4. Never use sharp or solid objects for cleaning the transducer



How to clean the water basin

1. Clean the water basin with a soft damp cloth. If there is excess film on the surfaces, then soak the cloth with vinegar and repeat the process.
2. If there is a film in any of the depressions along the basin, drop a bit of vinegar into depression and clean it out with a brush.
3. Rinse the basin with clean water.

Troubleshooting

The following is a troubleshooting guide to help you solve any issues that you may have using the **Clean Air Optima[®] Ultrasonic Humidifier CA-607B**.

Problem	Possible Cause	Solution
No mist diffused.	Power plug not plugged in. ON / OFF button not activated. Empty water tank. Not enough water in tank.	Plug in device. Press ON / OFF button. Fill tank with water. Refill tank with water.
The mist has a strange odour.	A new device. It either has dirty water or the water has been stagnant too long.	Remove the water tank, unscrew the lid and let it air out in a cool area for 12 hours. Clean the water tank and refill with clean water.
The volume of spray mist is too low.	Too much mineral scale in the water basin and on the transducer. Water is too dirty or water was kept too long in the tank.	Clean transducer. Clean the water tank and refill with clean water.
Device is noisy.	Water tank not positioned correctly. Not enough water in the water tank. Device is on an unstable surface.	Correctly position water tank on the base. Refill water in the water tank. Place device on solid and even ground.
Spray mist is coming out of the area around the mist nozzle.	There are gaps between the housing around the nozzle and the top of the water tank.	Remove the nozzle from the top of the water tank and clean with a damp cloth. Reattach to the water tank.

If your water is very hard (containing abnormally high levels of minerals) the humidifier may produce white dust. This is not a malfunction. The solution would be to replace the Water Filter W-01B more often or use softer water, like distilled water. Or we can recommend Clean Air Optima Air Washers, more info in our online store www.cleanairoptima.com

WARNING!

If the above recommended solutions do not work, please contact Clean Air Optima technical support at the telephone number for your region. Do not attempt to disassemble, reassemble, or repair the device as this may void the warranty.

Specifications

Model	CA-607B
For rooms up to	65m ² / 160m ³ / 699ft ²
Rated voltage	220V - 240V, 50/60Hz
Rated power	25W - Max. 105W
Capacity airhumidification	Min. 120 ml/h - Max. 480 ml/h
Active oxygen	<0.05 ppm
Sound level	Silent fan < 25dB(A)
Dimensions	230 x 150 x 370 mm
Weight	3,4 kg
Water tank	5,5 L
Colour	Black with smoked glass water tank

Complies with EU regulations CE / WEEE / RoHS

Ask your retailer or your municipality for updated information regarding the disposal of the packaging and of the device.





Service

Warranty Certificate for the Clean Air Optima® Ultrasonic Humidifier CA-607B.

Date of purchase:
 Customers name:
 Address:
 Telephone:
 Email:
 Seller's name:
 Address:

1. Please fill in completely this Warranty Certificate. Send it with the invoice and the unit, postage pre-paid and using the original packing box, to your distributor. Make sure to include the appropriate return postage for the package.
2. Please enclose a short description of the damage, fault or malfunction, and the circumstances under which these problems arose.

The **Clean Air Optima® Ultrasonic Humidifier CA-607B** is subjected to strict testing procedures before leaving the factory. If within 2 years from the date of purchase the product does not perform according to the specifications, because of factory defects, the purchaser is entitled to free repairs or replacement of parts upon presentation of this warranty (provided that the malfunction or damage to the device and/or parts occurred under normal operating conditions). What is covered: All parts defective in material and workmanship. For how long: two years from purchase date. What we will do: Repair or replace any defective parts.

Other Conditions

The provisions of this warranty are in lieu of any other written warranty whether express or implied, written or oral, including any warranty of merchantability or fitness for a particular purpose. The manufacturer's maximum liability shall not exceed the actual purchase price paid by you for the product. In no event shall the manufacturer be liable for special, incidental, consequential, or indirect damages. This warranty does not cover a defect that has resulted from improper or unreasonable use or maintenance, faulty assembly, accident, natural catastrophes, improper packing, or unauthorized tampering, alteration, or modification as determined solely by us. This warranty is void if the label bearing the serial number has been removed or defaced.

Never put other pure essential oils or other additives into the water tank resp. the waterbasin! Even a small quantity can damage the plastic and cause cracks.

Thank you for reading!



Share your feedback about the Clean Air Optima®
Ultrasonic Humidifier CA-607B on:
www.cleanairoptima.com



For frequently asked questions about the CA-607B go to:
www.cleanairoptima.com and search for the CA-607B.



Download PDF instruction manual on:
www.cleanairoptima.com/info/manuals



Watch all Clean Air Optima® Product
animation video's on:
www.youtube.com

Clean Air Optima International B.V. | David Ricardostraat 9-7 / 9-9 | 7559 SH Hengelo (ov)
The Netherlands | Phone: +31 (0) 74 - 2670145

Clean Air Optima Germany GmbH | Enschedestraße 14 | 48529 Nordhorn | Germany
Phone: +49 (0) 5921 879-121

E-mail: info@cleanairoptima.com

Internet: www.cleanairoptima.com

Deutsch

Vielen Dank, dass Sie sich für den Luftbefeuchter Clean Air Optima CA-607B[®] entschieden haben.

Wir wünschen Ihnen viele Jahre gesunde Raumluft mit diesem effizienten und effektiven Produkt.

Diese Anleitung beschreibt die Sicherheitsvorkehrungen, die im Betrieb zu beachten sind. Sie sind dafür vorgesehen, Verletzungen vorzubeugen und Beschädigungen am Gerät zu vermeiden.

Beschreibung des Geräts

Das Gerät besteht aus folgenden Hauptkomponenten:

1. Nebeldüse
2. Griff
3. Wassertank
4. Schwimmer
5. Aromakasten
6. Netzkabel
7. PTC-Heizelement
8. Wassertankdeckel und Filter

Sicherheitshinweise

Dieses Gerät darf nur in Übereinstimmung mit diesen Sicherheitshinweisen verwendet werden. Führen Sie die folgenden Schritte aus, um das Verletzungsrisiko für Personen (z.B. durch Stromschläge oder Feuer) zu minimieren.

1. Nur für Innenräume geeignet. Nicht im Freien verwenden oder lagern.
2. Die richtige Spannung verwenden: AC 220 V - 240 V, 50/60 Hz
3. Der interne Ultraschall-Messwandler ist hochempfindlich. Berühren Sie ihn nicht mit bloßen Fingern und kratzen Sie nicht mit Metallwerkzeugen daran, da sonst die Nebelabgabe verringert wird. Für die Reinigung dieses Bereichs verwenden Sie bitte eine kleine Reinigungsbürste, einen Wattebausch oder eine Zahnbürste. Verwenden Sie kein heißes Wasser, da dies die Vernebelungsteile beschädigen kann.
4. Das Gerät ist nicht für die Verwendung durch Kinder oder Personen mit eingeschränkten körperlichen, sensorischen oder geistigen Fähigkeiten bestimmt, es sei denn, diese Personen werden von einer für ihre Sicherheit verantwortlichen Person beaufsichtigt.
5. Kinder müssen vom Gerät ferngehalten werden, außer die Kinder sind unter ständiger Aufsicht.
6. Stellen Sie das Gerät zum sicheren Gebrauch in eine stabile, horizontale Position. Beim Gebrauch nicht bewegen.
7. Um Störungen und Schäden an anderen elektronischen Geräten zu vermeiden, sollte dieses Gerät mindestens 1 Meter von einem Computer, Fernseher, Radio oder anderen elektronischen Geräten entfernt aufgestellt werden.
8. Verwenden Sie das Gerät nicht, wenn sichtbare Schäden am Netzkabel oder am Gerät selbst vorhanden sind. Reparieren Sie das Gerät nicht selbst, wenn es beschädigt ist. Ziehen Sie das Gerät niemals an seinem Kabel. Wenn das Netzkabel beschädigt ist, muss es von einem befugten Servicemitarbeiter ausgetauscht werden, um Stromschlag oder Feuer zu vorbeugen.
9. Reparaturen dürfen nur von befugtem Servicepersonal durchgeführt werden. Nicht versuchen, das Gerät selbst zu reparieren, um Stromschlägen oder Feuer vorzubeugen.
10. Immer den Stecker aus der Steckdose ziehen, wenn das Gerät nicht benutzt wird, oder wenn Sie innere oder äußere Teile des Geräts reinigen.
11. Den Wassertank herausnehmen, bevor Sie das Gerät bewegen.
12. Verwenden Sie nur die mitgelieferten Netzkabel.
13. Verwenden Sie das Gerät nicht in Räumen, in denen brennbare Flüssigkeiten oder Gase aufbewahrt werden, in der Nähe von Wärmequellen oder in besonders feuchten Räumen wie dem Badezimmer.
14. Um Fehlfunktionen vorzubeugen: Keine Fremdkörper in das Gerät einführen.
15. Nie die inneren Teile des Geräts zerlegen oder ersetzen.
16. Das Gerät nicht in direktem Sonnenlicht aufbewahren, damit sich das Gerät nicht verfärbt.
17. Nie das Gerät in Wasser oder andere Flüssigkeiten eintauchen.
18. Berühren Sie das Netzkabel nicht mit nassen Händen.
19. Den warmen Nebel nicht in der Nähe berühren.
20. Vor der Aufbewahrung das Gerät reinigen und trocknen (auch das gesamte Wasser aus dem Inneren des Geräts entfernen). Bewahren Sie das Gerät an einem kühlen und trockenen Ort außerhalb der Reichweite von Kindern.
21. Die Wasserwanne nicht reinigen, wenn das Wasser noch heiß ist.
22. Verwenden, warten und reinigen Sie das Gerät wie in dieser Anleitung beschrieben.

Bedienungsanleitung

Bevor Sie beginnen: Nehmen Sie den Clean Air Optima CA-607B aus dem Karton und lassen Sie ihn mindestens 30 Minuten an die Raumtemperatur akklimatisieren, besonders wenn das Gerät von der Außenluft kalt ist. Stellen Sie das Gerät auf eine feste, ebene und wasserunempfindliche Fläche, ca. 60 cm über dem Fußboden und mindestens 20 cm von der Wand entfernt.

Der CA-607B ist für den Betrieb bei Temperaturen von 5 bis 40 °C und einer relativen Luftfeuchtigkeit unter 80 % ausgelegt.

Als erstes fassen Sie den Wassertank am **Griff** oben und heben ihn vom Unterteil. Als nächstes den Tank umdrehen, abschrauben und **Wassertankdeckel sowie Filter abnehmen**.

Griff



Wassertankdeckel und Filter



Wasserhahn zum Befüllen



Stellen Sie dann den Wassertank zum Befüllen unter den **Wasserhahn**, fassen Sie ihn dazu am Griff unter dem Wassertank. Füllen Sie den Tank mit Leitungswasser (oder einer anderen sauberen Wasserquelle mit einer Wassertemperatur unter 40 °C), setzen Sie den Deckel und den Filter wieder ein. Den Wassertank noch einmal umdrehen, sodass die richtige Seite oben ist. Sicherstellen, dass das Becken sauber ist, und den Wassertank vorsichtig wieder auf das untere Gehäuse setzen.

Warten Sie einige Sekunden, bis der Wassertankdeckel beginnt, Wasser in das Becken abzugeben. Sie hören ein blubberndes Geräusch, wenn die Luft in den Wassertank eintritt. Stecken Sie den Netzstecker in eine geeignete Steckdose. Ein Signalton gibt an, dass sich das Gerät im Standby-Modus befindet. Wenn der Befeuchter ein- und ausgeschaltet wird, werden die Werte für die Temperatur (**Marge von ca. 2-5 Grad Differenz von der Raumtemperatur**) und die Luftfeuchtigkeit angezeigt.



Ein/Aus-Taste:

Die **Power-Taste** drücken, um den Befeuchter zu aktivieren. Das Gerät arbeitet nun im manuellen Modus. Es gibt konstant kühlenden Nebel ab, wobei die Intensität des Nebels automatisch auf mittel eingestellt ist.



Taste „Manuell“:

Die **Manuell-Taste** ändert die Nebelstufe (niedrig, mittel, hoch). Für die Nebelabgabe stehen 3 Stufen zur Auswahl.



Kindersicherung

Die Kindersicherung schützt vor unbefugter Benutzung des Gerätes. Die **Kindersicherung** wird durch Drücken der **Manual-Taste** für ca. 3 Sekunden ein- und ausgeschaltet.

Wenn die Kindersicherung eingeschaltet ist, zeigt das Display ein rotes Schloss-Symbol



Feuchtigkeit-Taste:

Durch Drücken der **Humidity-Taste** können Sie den gewünschten Feuchtigkeitsgrad durch wiederholtes Drücken dieser Taste auswählen, bis der gewünschte Feuchtigkeitsgrad angezeigt wird (von 40 % bis 80 % in Schritten von 5 %). Sobald Sie Ihre gewünschte Luftfeuchtigkeit ausgewählt haben, lassen Sie die Taste einfach los, und Ihre Luftfeuchtigkeit ist eingestellt. Wenn die Luftfeuchtigkeit im Raum den eingestellten Wert erreicht, schaltet das Gerät in den automatischen Ruhezustand und erzeugt nach **1** Minute keinen Nebel mehr. Wenn die tatsächliche Luftfeuchtigkeit im Raum unter die eingestellte Luftfeuchtigkeit fällt, beginnt das Gerät, wieder Nebel zu erzeugen.



Modus-Taste:

Durch einmaliges Drücken der **Modus-Taste** wird der Schlafmodus aktiviert, 2 Mal drücken für Auto, 3 Mal drücken für Baby, 4 Mal drücken für Gesundheit. (Schlaf-Auto-Baby-Gesundheit-Schlaf.....).



Schlafmodus:

Wenn der Schlafmodus aktiviert ist, schaltet sich die Anzeige nach 10 Sekunden aus. Nur die Schlafmodus-Leuchte leuchtet.

Auto-Modus:

Abhängig von der Temperatur stellt der Befeuchter die optimale Luftfeuchtigkeit ein

Temperatur der Luft, Grad Celsius	Luftfeuchtigkeit in %
19 und niedriger	65
20-21	60
22-23	55
24-25	50
26-27	45
28-29	40

- Das Gerät bestimmt die Temperatur in seiner Umgebung (ca. 2-5 Grad Abweichung von der tatsächlichen Raumtemperatur).
- Die optimalen Feuchtigkeitswerte bei unterschiedlichen Temperaturen werden aus der Datenbank des Gerätes übernommen.
- Das Gerät arbeitet mit maximaler Leistung, bis die optimale Luftfeuchtigkeit erreicht ist.
- Wenn die optimale Luftfeuchtigkeit erreicht ist, wird die Befeuchtung gestoppt.
- Das Gerät prüft alle 10 Minuten die Übereinstimmung von Temperaturniveau und Luftfeuchtigkeit.

Baby-Modus:

Wenn die **Baby-Modus** aktiviert ist, schaltet das Gerät die Funktion von warmem Nebel & UV-Licht ein und beginnt 55% Luftfeuchtigkeit bei maximaler Leistung zu erreichen. Wenn die 55% Luftfeuchtigkeit erreicht wird, wird die Befeuchtung gestoppt. Das Gerät prüft die Luftfeuchtigkeit alle 10 Minuten.

Gesundheitsmodus:

Wenn der **Gesundheitsmodus** aktiviert ist, schaltet das Gerät die Funktion von warmem Nebel und UV-Licht ein, wird die optimale Luftfeuchtigkeit berechnet und beginnt, sie bei maximaler Leistung zu erreichen.

Die optimale Luftfeuchtigkeit im Gesundheitsmodus wird wie im Automatikmodus berechnet. Der einzige Unterschied ist, dass das Gerät 5 % zum Ergebnis addiert.

Beispiel:

Optimale Luftfeuchtigkeit im Auto-Modus = 50%, optimale Luftfeuchtigkeit im Gesundheitsmodus = 50 + 5 = 55%

Wenn die optimale Luftfeuchtigkeit erreicht ist, stoppt die Befeuchtung.

Das Gerät prüft alle 15 Minuten die Übereinstimmung von Temperaturniveau und Luftfeuchtigkeit.



„Negative Ion“-Taste:

Drücken der **Negative Ion-Taste** aktiviert den Negativionengenerator mit einer Gesamtkapazität von > 3.000.000 negativen Ionen / cm³ die sich über den gesamten Raum verteilen und so Schadstoffe und Gerüche neutralisieren. Negative Ionen binden sich an Staubpartikel, Mikroorganismen und andere unerwünschte Partikel in der Luft und verbinden sie miteinander. Auf diese Weise werden die Partikel schwerer als Luft und fallen auf den Boden, so dass sie nicht mehr eingeatmet werden können.

Negative Ionen sind am häufigsten im Wald, in den Bergen und am Meer zu finden. Negative Ionen sorgen für frische und gesunde Luft.



Timer-Taste:

Durch Drücken der **Timer-Taste** wird der Timer eingestellt. Die Timerfunktion bestimmt, wie viele Stunden der Befeuchter arbeitet. Den Timer können Sie einfach einstellen, indem Sie ihn einmal für jede Stunde drücken, in der Sie das Gerät betreiben möchten. Der Timer kann von 1 Stunde bis 12 Stunden eingestellt werden. Im Laufe der Zeit nimmt der Zeitwert ab, bis er 00:00 erreicht und das Gerät abschaltet.




Heiztaste:

Drücken der **Heiztaste** aktiviert die Warmnebelfunktion. Dies wird auf dem LED-Display mit drei welligen vertikalen Linien angezeigt. Das Wasser wird im Becken durch ein PTC-Heizelement erwärmt und auf über 65 Grad erwärmt, um Bakterien (Legionellen) wirksam abzutöten. Durch die Erwärmung des Wassers wird der Nebelausstoß feiner für eine schnellere und effizientere Befeuchtung.



UV-Licht-Taste

Halten Sie die **UV-Licht-Taste** 3 Sekunden gedrückt. Das Gerät startet die UV-Sterilisierungsfunktion, die Bakterien im austretenden Luftnebelstrom abtötet, bevor der Nebel in den Raum

gelangt. Das UV-Lichtsymbol  wird auf dem LED-Display angezeigt. Die Taste erneut drücken und 3 Sekunden lang gedrückt halten, um die UV-Licht-Funktion zu stoppen.

Automatische Abschaltung bei leerem Wassertank

Falls der Wassertank leer ist, ertönt ein dreifaches akustisches Signal. Das entsprechende Symbol



leuchtet im Display auf, während die übrigen Anzeigen erlöschen. Das Gerät stoppt das Befeuchten automatisch. Schalten Sie in diesem Fall das Gerät mit der ON / OFF-Taste aus. Das Gerät abkühlen lassen, bevor Sie weiteres Wasser in den Tank gießen.

Vorsicht: Das Gerät und das Wasser in der Vernebelungskammer (Becken) können sehr heiß sein. Beim Anheben des Gerätes oder beim Entfernen des Wassertanks direkt nach dem Betrieb besteht die Gefahr, dass Sie sich mit dem heißen Wasser verbrennen!

Darauf achten, dass der Wassertank immer vollständig nachgefüllt wird.

Fernbedienung

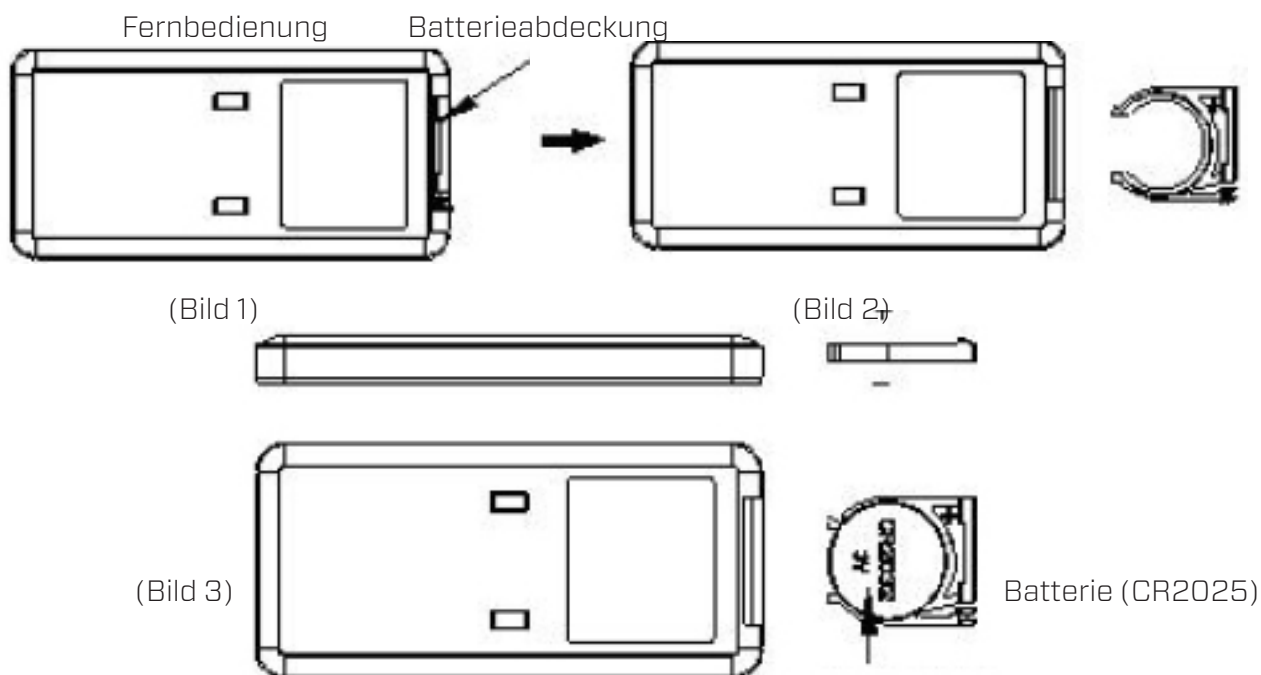
Die Tasten auf Ihrer Fernbedienung:

1. Schlafmodus
2. Auto-Modus
3. Baby-Modus
4. Gesundheitsmodus
5. Gewünschte Luftfeuchtigkeit
6. Min. / Max.
7. EIN / AUS
8. Timer
9. Heizung
10. UV-Licht
11. Negative Ionen
12. Kindersicherung



Wechseln der Batterien in der Fernbedienung

1. Öffnen Sie die Batterieabdeckung an der Rückseite der Fernbedienung, um die Batterie einzulegen. (siehe Bild 1).
2. Zum Einsetzen der Batterie: An der Unterseite der Fernbedienung befindet sich eine „Sicherheitslasche“, die Sie zuerst nach rechts schieben und dann den Batteriehalter herausziehen müssen. (siehe Bild 2). Setzen Sie die Batterie richtig gepolt ein. (siehe Bild 3).
3. Die Batterieabdeckung wieder in die Fernbedienung drücken.



Vorbereitung Clean Air Optima® Wasserfilter W-01B

Der **Wasserfilter W-01B** reduziert den Kalk im Wasser und die unerwünschte Emission von Kalkpartikeln in die Raumumgebung. Je nach Wasserhärte ein bis drei Monate wirksam. Hartes Leitungswasser beschleunigt die Sättigung des Granulats schneller, so dass der **Wasserfilter W-01B** früher ersetzt werden muss.

1. Den **Wasserfilter W-01B** 2 Minuten unter fließendem kaltem Leitungswasser ausspülen.



2. Den **Wasserfilter W-01B** auf den Wassertankdeckel schrauben.

Bestimmung der Wasserhärte:

1. Tauchen Sie den beiliegenden Teststreifen 1 Sekunde in ein Glas kaltes Leitungswasser ein.



2. Nach einer Minute den Wasserhärtebestreifen ablesen.
3. Für die voraussichtliche Lebensdauer des **Wasserfilters W-01B** siehe die Tabelle.

■ ■ ■ ■	= 3 Monate
■ ■ ■ ■	= 3 Monate
■ ■ ■ ■	= 2 Monate
■ ■ ■ ■	= 2 Monate
■ ■ ■ ■	= 1 Monat

Entsorgen Sie den gesättigten **Wasserfilter W-01B** mit dem normalen Hausmüll.

Der **Wasserfilter W-01B** sollte nicht länger als angegeben verwendet werden. Den **Wasserfilter W-01B** können Sie bestellen in unserem Online-Shop unter www.cleanairoptima.com

Ersetzen des Clean Air Optima[®] Wasserfilter W-01B

Der **Clean Air Optima CA-607B** ist mit einem Mechanismus zur Überwachung der Filterlebensdauer ausgestattet, der signalisiert, dass die Wasserfilter nach 400 Betriebsstunden ausgetauscht werden müs. Um anzuzeigen, dass die **Wasserfilter W-01B** ausgetauscht

werden müs, blinkt eine Kontrollleuchte  Doppelnull am Luftbefeuchter. Setzen Sie den Timer für den Wasserfilter zurück. Halten Sie die Taste Ein/Aus für ca. 3 Sekunden gedrückt. Wenn die Kontrollleuchte erlischt, wurde der Timer erfolgreich zurückgesetzt.

Einsetzen/Ersetzen des Clean Air Optima[®] Silver Ion SI-01

Der **Silver Ion SI-01** verhindert Wachstum von Bakterien und Gerüche im Wasser durch die antimikrobielle Wirkung von Silber. Der **Silver Ion SI-01** funktioniert sogar, wenn Ihr Befeuchter ausgeschaltet ist, so dass das Wasser frisch bleibt.

Ersetzen Sie den **Silver Ion SI-01** zu Beginn der Befeuchtersaison oder ersetzen Sie den **Silver Ion SI-01** nach einem Jahr Gebrauch.

Ersetzen des Silver Ion SI-01:

1. Als erstes fassen Sie den Wassertank oben am Griff und heben ihn vom Unterteil.



2. Nehmen Sie den gebrauchten **Silver Ion SI-01** heraus.



3. Setzen Sie den neuen **Silver Ion SI-01** ein.
Entsorgen Sie den **Silver Ion SI-01** mit dem normalen Hausmüll.

Der **Silver Ion SI-01** sollte nicht länger als angegeben verwendet werden. Den **Silver Ion SI-01** können Sie bestellen in unserem Online-Shop unter www.cleanairoptima.com

Aromatherapie

Aktivieren der Aromafunktion:

- Nehmen Sie die Aromaschale aus der Halterung.
- Geben Sie 5 - 10 Tropfen Clean Air Optima[®] ätherisches Öl auf den Schwamm.
- Setzen Sie die Aromaschale wieder in die Halterung ein.
- Wenn Sie Ihren Luftbefeuchter einschalten, wird die Aromafunktion aktiviert.
- Wenn Sie die Aromafunktion deaktivieren möchten oder das Gerät längere Zeit nicht benutzt wird, nehmen Sie den Aromaschwamm aus dem Fach und waschen Sie ihn mit etwas milder Seifenlauge aus. Lassen Sie ihn vollständig trocknen, bevor Sie ihn wieder in das Aromafach einsetzen. Grundsätzlich ist der Aromaschwamm wiederverwendbar.



Wichtig

Für optimale Ergebnisse mit Ihrem Ultraschall-Luftbefeuchter empfehlen wir Ihnen, die folgenden Hinweise zur Verwendung von ätherischen Ölen im Ultraschall-Luftbefeuchter CA-607B sorgfältig zu beachten.

Verwendung von ätherischen Ölen im CA-607B

Verwenden Sie unsere hochwertigen ätherischen Öle und genießen Sie Ihre persönliche Aromatherapie! Ein Dufterlebnis auf höchstem Niveau!

Hochwertige ätherische Öle mit vielen verschiedenen Düften finden Sie in unserem Sortiment. Sie passen perfekt zum Ultraschall-Luftbefeuchter CA-607B und wurden speziell für den Einsatz mit diesem Ultraschall-Luftbefeuchter entwickelt:



Die **Ätherischen Öle** können Sie bestellen in unserem Online-Shop unter www.cleanairoptima.com

Warnung!

Andere ätherische Öle, die nicht für diesen Luftbefeuchter hergestellt wurden, oder anderer Zusatzstoffe (z.B. Duftstoffe und Wasserreinigungsprodukte) können den Luftbefeuchter beschädigen und dürfen **NICHT** verwendet werden! **Niemals andere reine ätherische Öle oder andere Zusatzstoffe in den Wassertank bzw. das Wasserbecken geben! Schon eine kleine Menge kann den Kunststoff beschädigen und Risse verursachen.**

Das Material ist nicht für die Verwendung von Zusatzstoffen bestimmt. Ein Tropfen genügt, um den Wassertank/das Wasserbecken zu beschädigen und das Gerät zu deaktivieren. Geräte, die durch Zusatzstoffe beschädigt werden, sind von der Garantie ausgeschlossen.

Reinigung und Wartung

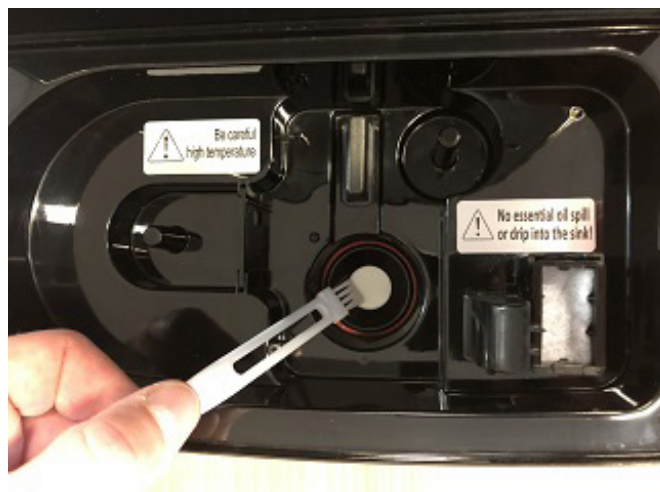
Sie können viele Jahre lang einen störungsfreien Betrieb Ihres Luftbefeuchters **Clean Air Optima[®] CA-607B** gewährleisten, indem Sie einige einfache Wartungsarbeiten durchführen. Wenn Ihr Wasser hart ist und hohe Konzentrationen an Kalzium und anderen Mineralien enthält, lagert sich im Laufe der Zeit weißer Staub auf den verschiedenen Oberflächen im Raum ab. Auch im Wasserbecken, am Messwandler und an der Innenfläche des Wassertanks bildet sich eine weiße, filmartige Substanz. Dieser weiße Film beeinträchtigt die einwandfreie Funktion des Messwandlers und den Betrieb des Geräts.

Wir empfehlen Folgendes:

1. Wenn Sie das Gerät täglich benutzen, reinigen Sie den Messwandler, den Wassertank und das Becken einmal pro Woche.
2. Wenn der Wassertank nachgefüllt werden muss: Entleeren Sie den Tank vom restlichen Wasser und füllen Sie ihn mit Frischwasser.
3. Reinigen Sie das gesamte Gerät. Achten Sie darauf, dass alle Teile vollständig trocken bleiben, wenn das Gerät nicht in Gebrauch ist.

Reinigen des Messwandlers

1. 5-10 Tropfen Essig auf die Oberfläche des Messwandlers geben und 2-5 Minuten warten.
2. Den Mineralfilm mit einer kleinen Bürste, einem Wattestäbchen oder einer Zahnbürste vorsichtig von der Oberfläche des Messwandlers entfernen.
3. Den Messwandler mit sauberem Wasser abspülen.
4. Verwenden Sie niemals scharfe oder feste Gegenstände zur Reinigung des Messwandlers



Reinigen des Wasserbeckens

1. Das Wasserbecken mit einem feuchten weichen Lappen reinigen. Wenn sich auf den Oberflächen überschüssiger Film befindet, tränken Sie das Tuch mit Essig und wiederholen Sie den Vorgang.
2. Wenn sich in einer der Vertiefungen entlang des Beckens ein Film befindet: Etwas Essig in die Vertiefung geben und mit einer Bürste reinigen.
3. Das Becken mit sauberem Wasser ausspülen.

Störungssuche

Im Folgenden finden Sie eine Anleitung zur Störungssuche. Sie hilft Ihnen, Probleme zu lösen, die bei Verwendung des **Clean Air Optima® Ultraschall-Luftbefeuchter CA-607B** auftreten können.

Problem	Mögliche Ursache	Lösung
Kein Nebel verteilt.	Netzstecker nicht eingesteckt. Taste ON / OFF nicht betätigt. Den Wassertank leeren. Nicht genug Wasser im Tank.	Netzstecker des Geräts einstecken. Die Taste ON / OFF drücken. Den Tank mit Wasser füllen. Den Tank wieder mit Wasser füllen.
Der Nebel riecht sonderbar.	Ein neues Gerät. Entweder ist das Wasser schmutzig oder es stand zu lange still.	Den Wassertank herausnehmen, den Deckel abschrauben und 12 Stunden in einem kühlen Bereich auslüften lassen. Den Wassertank reinigen und mit sauberem Wasser neu füllen.
Die Sprühnebelmenge ist zu gering.	Zu viel Mineralienablagerungen im Wasserbecken und auf dem Messwandler. Wasser ist zu schmutzig oder Wasser wurde zu lange im Tank gehalten.	Messwandler reinigen. Den Wassertank reinigen und mit sauberem Wasser neu füllen.
Gerät ist laut.	Wassertank nicht richtig positioniert. Nicht genug Wasser im Wassertank. Gerät steht auf einer instabilen Oberfläche.	Positionieren Sie den Wassertank richtig auf dem Unterteil. Den Wassertank wieder mit Wasser füllen. Stellen Sie das Gerät auf einen festen und ebenen Untergrund.
Sprühnebel kommt aus dem Bereich um die Nebeldüse.	Zwischen dem Gehäuse um die Düse und der Oberseite des Wassertanks befinden sich Spalten.	Die Düse an der Oberseite des Wassertank abnehmen und sie mit einem feuchten Tuch reinigen. Wieder am Wassertank anbringen.

Wenn Ihr Wasser sehr hart ist (mit einem ungewöhnlich hohen Gehalt an Mineralien), kann der Befeuchter weißen Staub produzieren. Dies ist keine Fehlfunktion. Die Lösung ist, den Wasserfilter W-01B häufiger auszutauschen oder weiches Wasser (z.B. destilliertes Wasser) zu verwenden. Wir können auch Clean Air Optima Luftreiniger empfehlen. Weitere Informationen finden Sie in unserem Online-Shop www.cleanairoptima.com

WARNUNG!

Wenn die oben empfohlenen Lösungen nicht funktionieren: Wenden Sie sich bitte an den technischen Kundendienst von Clean Air Optima unter der Telefonnummer Ihrer Region. Nicht versuchen, das Gerät zu zerlegen, wieder zusammenzubauen oder zu reparieren, da andernfalls die Garantie erlöschen kann.

Technische Daten

Modell	CA-607B
Für Räume bis	65 m ² / 160 m ³ / 699 ft ²
Nennspannung	220 - 240 V, 50/60 Hz
Nennleistung	25 W - max. 105W
Kapazität Luftbefeuchtung	Min. 120 ml/h - max. 480 ml/h
Aktiver Sauerstoff	<0,05 ppm
Schallpegel	Leiser Lüfter < 25 dB(A)
Maße	230 x 150 x 370 mm
Gewicht	3,4 kg
Wassertank	5,5 l
Farbe	Schwarz mit Wassertank aus Rauchglas

Entspricht den EU-Vorschriften CE / EEAG / RoHS

Fragen Sie Ihren Händler oder Ihre Kommunalverwaltung nach aktuellen Informationen über die Entsorgung der Verpackung und des Geräts.



Service

Garantiezertifikat für den Clean Air Optima® Ultraschall-Luftbefeuchter CA-607B.

Kaufdatum:
Name des Kunden:
Adresse:
Telefon:
E-Mail:
Name des Verkäufers:
Adresse:

1. Bitte füllen Sie dieses Garantiezertifikat vollständig aus. Senden Sie es mit der Rechnung und dem Gerät, Porto im Voraus bezahlt und in der Originalverpackung an Ihren Händler. Fügen Sie ausreichendes Rückporto für das Paket bei.

2. Bitte fügen Sie eine kurze Beschreibung des Schadens, der Störung oder des Fehlers und der Umstände bei, unter denen diese Probleme aufgetreten sind.

Der **Clean Air Optima® Ultraschall-Luftbefeuchter CA-607B** durchläuft vor Verlassen des Werks strenge Prüfverfahren. Wenn das Produkt innerhalb von 2 Jahren ab Kaufdatum nicht den Spezifikationen entspricht, hat der Käufer aufgrund von Fertigungsmängeln das Recht auf kostenlose Reparatur oder Ersatz von Teilen gegen Vorlage dieser Garantie (vorausgesetzt, dass die Fehlfunktion oder Beschädigung des Geräts und/oder der Teile unter normalen Betriebsbedingungen aufgetreten ist). Die Garantie gilt: Für alle in Material und Verarbeitung fehlerhaften Teile. Wie lange: zwei Jahre ab Kaufdatum. Das werden wir tun: Fehlerhafte Teile reparieren oder ersetzen.

Sonstige Bedingungen

Die Bestimmungen dieser Garantie ersetzen alle anderen schriftlichen Garantien, ob ausdrücklich oder stillschweigend, schriftlich oder mündlich, einschließlich der Garantie der Marktgängigkeit oder Eignung für einen bestimmten Zweck. Die maximale Haftung des Herstellers überschreitet nicht den tatsächlichen Kaufpreis, den Sie für das Produkt gezahlt haben. In keinem Fall haftet der Hersteller für besondere, zufällige, Folge- oder indirekte Schäden. Diese Garantie erstreckt sich nicht auf einen Mangel, der nach unserem alleinigen Ermessen auf unsachgemäße oder unangemessene Verwendung oder Wartung, fehlerhafte Montage, Unfall oder Naturkatastrophen, unsachgemäße Verpackung oder unbefugte Manipulationen, Änderungen oder Modifikationen zurückzuführen ist. Diese Garantie erlischt, wenn der Aufkleber mit der Seriennummer entfernt oder entstellt wurde.

Niemals andere reine ätherische Öle oder andere Zusatzstoffe in den Wassertank bzw. das Wasserbecken geben! Schon eine geringe Menge kann den Kunststoff beschädigen und Risse verursachen.

Vielen Dank für das Lesen!



Äußern Sie Ihre Meinung über den Clean Air Optima®
Ultraschall-Luftbefeuchter CA-607B unter:
www.cleanairoptima.com



Für häufig gestellte Fragen zum CA-607B besuchen Sie bitte:
www.cleanairoptima.com und suchen Sie nach „CA-607B“.



Download der PDF-Gebrauchsanleitung unter:
www.cleanairoptima.com/info/manuals



Alle Produktanimationsvideos
zum Clean Air Optima® auf:
www.youtube.com

Clean Air Optima International B.V. | David Ricardostraat 9-7 / 9-9 | 7559 SH Hengelo (ov)
Niederlande | Telefon: +31 (0) 74 - 2670145

Clean Air Optima Germany GmbH | Enschedestraße 14 | 48529 Nordhorn | Deutschland
Telefon: +49 (0) 5921 879-121

E-Mail: info@cleanairoptima.com

Internet: www.cleanairoptima.com

Nederlands

Bedankt voor de aanschaf van de Clean Air Optima® ultrasone luchtbevochtiger CA-607B.

Wij wensen u vele jaren gezonde binnenlucht toe met dit efficiënte en doeltreffende product.

Deze instructies beschrijven de veiligheidsvoorschriften die tijdens het gebruik moeten worden nageleefd. Ze zijn bedoeld om verwondingen en schade aan het apparaat te voorkomen.

Beschrijving van het apparaat

Het apparaat bestaat uit de volgende hoofdonderdelen:

1. Sproeikop
2. Handgreep
3. Watertank
4. Vlotter
5. Aromahouder
6. Netsnoer
7. PTC-verwarmingselement
8. Deksel en filter van de watertank

Veiligheidswaarschuwingen

Dit apparaat mag alleen worden gebruikt in overeenstemming met deze veiligheidsinstructies. Neem de volgende stappen om het risico op verwondingen door bijvoorbeeld elektrische schokken of brand tot een minimum te beperken.

1. Alleen voor gebruik binnenshuis. Niet buiten gebruiken of opslaan.
2. Gebruik de juiste spanning: 220-240 V, 50/60 Hz
3. De interne ultrasone transducer is zeer gevoelig. Raak deze niet met blote vingers aan en schuur deze niet met metalen gereedschap, anders vermindert de neveluitstoot. Gebruik voor het reinigen van deze zone een kleine schoonmaakborstel, wattenstaafje of tandenborstel. Gebruik geen warm water. Dit kan de vernevelende delen beschadigen.
4. Het apparaat is niet bedoeld voor gebruik door kinderen of personen met verminderde lichamelijke, zintuiglijke of verstandelijke vermogens, tenzij zij onder toezicht staan van een persoon die verantwoordelijk is voor hun veiligheid.
5. Kinderen moeten uit de buurt worden gehouden tenzij ze onder voortdurend toezicht staan.
6. Zet het apparaat op een stabiele, horizontale plaats neer om dit veilig te gebruiken. Verplaats het apparaat niet tijdens het gebruik.
7. Om storingen en schade aan andere elektronische apparaten te voorkomen, moet dit apparaat op minimaal 1 meter afstand van een computer, televisie, radio of andere elektronische apparatuur neergezet worden.
8. Gebruik het apparaat niet als er zichtbare schade is aan het netsnoer of het apparaat zelf. Repareer in geval van schade het apparaat niet zelf. Trek nooit aan het snoer van het apparaat. Als het netsnoer beschadigd is, moet het worden vervangen door erkend servicepersoneel om elektrische schokken of brand te voorkomen.
9. Herstellingen mogen alleen worden uitgevoerd door erkend servicepersoneel. Probeer het apparaat niet zelf te repareren, om elektrische schokken of brand te voorkomen.
10. Verwijder de stekker altijd uit het stopcontact wanneer het apparaat niet wordt gebruikt of wanneer u interne of externe onderdelen van het apparaat reinigt.
11. Verwijder de watertank voordat u het apparaat verplaatst.
12. Gebruik alleen de meegeleverde netsnoeren.
13. Gebruik het apparaat niet op plaatsen waar ontvlambare vloeistoffen of gassen worden bewaard, in de buurt van warmtebronnen of op bijzonder vochtige plaatsen zoals de badkamer, douche of het zwembad.
14. Breng geen vreemde voorwerpen aan in het apparaat om storingen te voorkomen.
15. Demonteer of vervang nooit de binnenste delen van het apparaat.
16. Zet het apparaat niet in direct zonlicht. Zo voorkomt u dat het apparaat verkleurt.
17. Dompel het apparaat nooit onder in water of andere vloeistoffen.
18. Raak het netsnoer niet met natte handen aan.
19. Raak de warme nevel niet van dichtbij aan.
20. Reinig en droog het apparaat vóór opslag (verwijder eveneens alle water uit de binnenkant van het apparaat). Bewaar het apparaat buiten het bereik van kinderen op een koele en droge plaats.
21. Reinig de watertank niet wanneer het water nog warm is.
22. Gebruik, onderhoud en reinig het apparaat zoals beschreven in deze handleiding.

Gebruiksaanwijzing

Haal de Clean Air Optima[®] CA-607B uit de doos voordat u begint en laat het apparaat gedurende minstens 30 minuten aan de kamertemperatuur wennen, vooral wanneer het apparaat koud is vanwege de buitenlucht. Zet het apparaat op een stevige, vlakke en waterongevoelige ondergrond, ca. 60 cm van de vloer en minstens 20 cm van de muur. De CA-607B is ontworpen om te werken bij temperaturen tussen 5 en 40 °C en een relatieve luchtvochtigheid van minder dan 80%.

Pak om te beginnen de watertank vast bij de **handgreep** aan de bovenkant en til deze van de basis. Draai vervolgens de watertank om, draai het **deksel en filter** van de watertank af en haal deze weg.

Handgreep



Deksel en filter van de watertank



Kraan voor het vullen



Houd vervolgens de watertank onder de **kraan** om deze te vullen. Houd hem vast bij de handgreep onder de watertank. Vul de tank met leidingwater (of een andere schone waterbron met een watertemperatuur van minder dan 40 °C). Plaats het deksel en filter weer terug. Draai de watertank weer om tot hij met de juiste kant naar boven gericht is. Zorg ervoor dat het waterbassin schoon is en plaats vervolgens de watertank voorzichtig terug op de onderkant van de behuizing.

Wacht enkele seconden tot het deksel van de watertank het water in de waterbak begint te lozen. U hoort een borrelend geluid wanneer lucht in de watertank komt. Steek de stekker in een geschikt stopcontact. Er klinkt een signaal om aan te geven dat uw apparaat in stand-bymodus staat. Wanneer de luchtbevochtiger wordt in/uitgeschakeld, worden de temperatuur- (**marge van ongeveer 2-5 graden verschil met de kamertemperatuur**) en luchtvochtigheidswaarden weergegeven.



Aan/uit-knop:

Druk op de **aan/uit-knop** om de luchtbevochtiger te activeren. Het apparaat werkt nu in 'manual'-modus. Het zal koele nevel op een constante basis vrijgeven waarbij de nevelintensiteit automatisch op gemiddeld wordt gezet.



'Manual'-knop:

De **'manual'-knop** verandert het nevelniveau (laag, gemiddeld, hoog). Er zijn 3 niveaus van neveluitstoot beschikbaar.



Kinderslot:

Het kinderslot beschermt tegen ongewenst gebruik van het apparaat. Het **kinderslot** wordt in/uitgeschakeld door de **'manual'-knop** 3 seconden lang in te drukken.

Als het kinderslot ingeschakeld is, verschijnt een rood slotpictogram  op het display.



Luchtvochtigheidsknop:

Door op de **luchtvochtigheidsknop** te drukken, kunt u de gewenste luchtvochtigheidsgraad selecteren door herhaaldelijk op deze knop te drukken totdat de gewenste luchtvochtigheidsgraad wordt weergegeven (van 40% tot 80% in stappen van 5%). Zodra u de gewenste luchtvochtigheidsgraad hebt geselecteerd, stopt u gewoon met het indrukken van de knop en wordt uw luchtvochtigheidsgraad ingesteld. Wanneer de luchtvochtigheidsgraad in de ruimte de ingestelde luchtvochtigheidsgraad bereikt, zal het apparaat automatisch in slaapmodus gaan en na **1** minuut stoppen met het produceren van nevel. Wanneer de werkelijke luchtvochtigheid in de ruimte onder uw ingestelde luchtvochtigheidsgraad daalt, zal het apparaat opnieuw nevel produceren.



'Mode'-knop:

Door 1 keer op de **'mode'-knop** te drukken, wordt de slaapmodus geactiveerd, druk 2 keer voor automatische modus, druk 3 keer voor babymodus, druk 4 keer voor gezondheidsmodus. (Sleep-Auto-Baby-Health-Sleep.....).



Slaapmodus:

Wanneer de slaapmodus geactiveerd is, zal het display na 10 seconden uitgeschakeld worden. Alleen het lampje van de slaapmodus brandt.



Automatische modus:

Afhankelijk van de temperatuur stelt de luchtbevochtiger de optimale luchtvochtigheidsgraad in

Temperatuur van de lucht, graden Celsius	Luchtvochtigheid-%
19 en lager	65
20-21	60
22-23	55
24-25	50
26-27	45
28-29	40

- Het apparaat bepaalt de temperatuur in de omgeving van het apparaat (marge van ongeveer 2-5 graden verschil met de werkelijke kamertemperatuur).
- De optimale luchtvochtigheidsgraden bij verschillende temperaturen worden uit de database van het apparaat gehaald.
- Het apparaat werkt op maximaal vermogen tot de optimale luchtvochtigheid is bereikt.
- Zodra de optimale luchtvochtigheid bereikt is, stopt de bevochtiging.
- Het apparaat controleert om de 10 minuten de overeenstemming van de temperatuur en luchtvochtigheidsgraad.



Babymodus:

Wanneer de **babymodus** geactiveerd is, schakelt het apparaat de functie van warme nevel & UV-licht in om op maximaal vermogen een luchtvochtigheid van 55% te bereiken. Zodra de 55% luchtvochtigheid bereikt is, stopt de bevochtiging. Het apparaat controleert om de 10 minuten de luchtvochtigheidsgraad.



Gezondheidsmodus:

Wanneer de **gezondheidsmodus** geactiveerd is, schakelt het apparaat de functie van warme nevel & UV-licht in en berekent de optimale luchtvochtigheid om deze op maximaal vermogen te bereiken.

De optimale luchtvochtigheid in de gezondheidsmodus wordt berekend zoals in de automatische modus. Het enige verschil is dat het apparaat 5% aan het resultaat toevoegt.

Voorbeeld:

Optimale luchtvochtigheid in de automatische modus = 50%, optimale luchtvochtigheid in de gezondheidsmodus = 50 + 5 = 55%

Zodra de optimale luchtvochtigheidsgraad bereikt is, stopt de bevochtiging.

Het apparaat controleert om de 15 minuten de overeenstemming van de temperatuur en luchtvochtigheidsgraad.



'Negatieve ion'-knop:

Door op de '**negatieve ion**'-knop te drukken, wordt de ionisator geactiveerd met een totale capaciteit van > 3.000.000 negatieve ionen/cm³ die zich door de hele ruimte verspreiden en daardoor vervuilende stoffen en geuren neutraliseren. Negatieve ionen hechten zich aan stofdeeltjes, micro-organismen en andere ongewenste deeltjes in de lucht en verbinden deze met elkaar. Op deze manier worden de deeltjes zwaarder dan lucht waardoor ze op de grond vallen zodat je ze niet meer kunt inademen.

Negatieve ionen komen het meest voor in het bos, de bergen en bij de zee. Negatieve ionen zorgen voor frisse en gezonde lucht.



Timerknop:

Door op de **timerknop** te drukken, wordt de timer ingesteld. De timerfunctie bepaalt hoeveel uur de luchtbevochtiger zal werken. U kunt de timer eenvoudig instellen door er één keer op te drukken voor elk uur dat u het apparaat wilt gebruiken. De timer kan worden ingesteld van 1 tot 12 uur. Naarmate de tijd verstrijkt, neemt de tijdswaarde af tot 00:00 uur en schakelt het apparaat uit.



Verwarmingsknop:

Door op de **verwarmingsknop** te drukken, wordt de 'warme nevel'-functie geactiveerd. Deze wordt op het led-display met drie golvende verticale lijnen weergegeven. Het water wordt in het waterbassin verwarmd door een PTC-verwarmingselement en wordt met meer dan 65 graden opgewarmd om effectief bacteriën (legionella) te doden. Het verwarmen van het water maakt de neveluitstoot fijner voor een snellere en efficiëntere bevochtiging.



UV-lichtknop:

Houd de **UV-lichtknop** gedurende 3 seconden ingedrukt. Het apparaat start de UV-sterilisatiefunctie die de bacteriën in de luchtstroom van de neveluitstoot doodt voordat de nevel de kamer in stroomt. Het UV-lichtpictogram  wordt op het led-display weergegeven. Druk nogmaals op de knop en houd deze 3 seconden ingedrukt om de UV-lichtfunctie te stoppen.

Automatische uitschakeling bij een lege watertank

Wanneer de watertank leeg is, klinkt er een drievoudig akoestisch signaal. Het overeenkomstige



pictogram licht op in het display terwijl de overige indicatoren uitgaan. Het apparaat stopt automatisch met bevochtigen. Schakel in dit geval het apparaat uit met de aan/uit-knop. Laat het apparaat afkoelen voordat u weer water in de watertank giet.

Opgelet: Het apparaat en het water in de vernevelingskamer (waterbassin) kunnen zeer heet zijn. Bij het optillen van het apparaat of het verwijderen van de watertank direct na gebruik loopt u het risico dat u zich aan het warme water verbrandt!

Zorg ervoor dat de watertank altijd volledig wordt bijgevuld.

Afstandsbediening

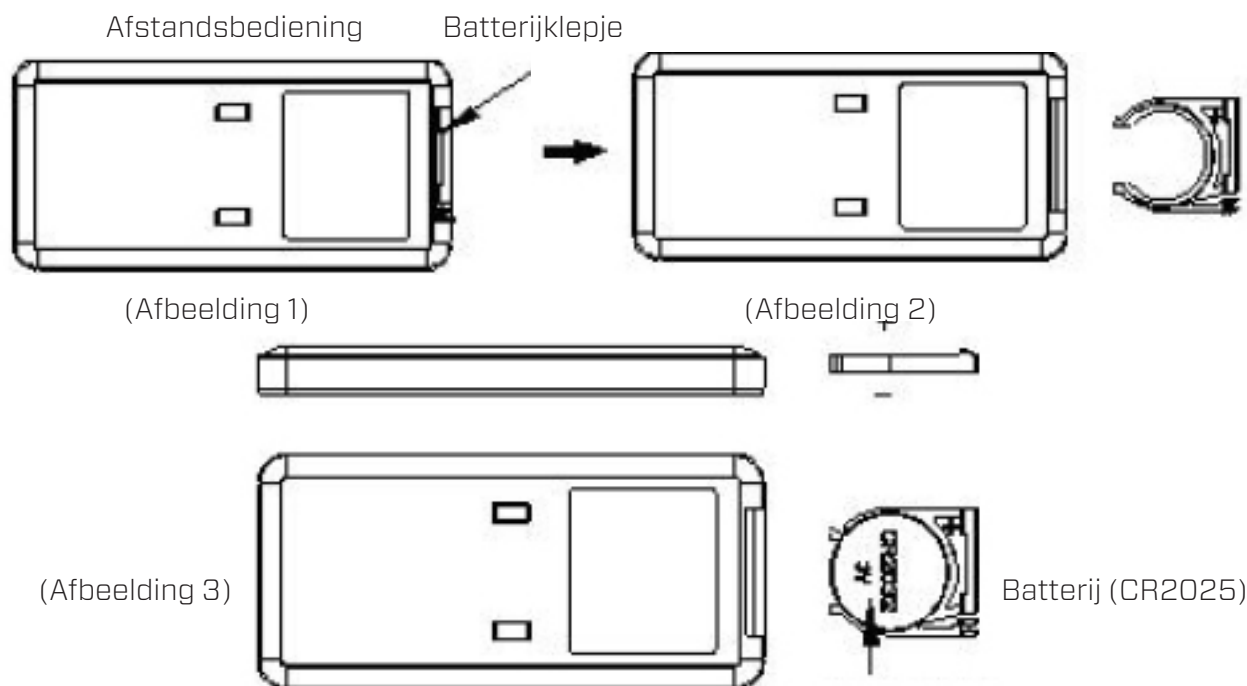
De knoppen op uw afstandsbediening:

1. Slaapmodus
2. Automatische modus
3. Babymodus
4. Gezondheidsmodus
5. Gewenste luchtvochtigheid
6. Min./max.
7. AAN/UIT
8. Timer
9. Verwarming
10. UV-licht
11. Negatieve ionen
12. Kinderslot



Vervangen van de batterijen in de afstandsbediening

1. Open het batterijklepje aan de achterkant van de afstandsbediening om de batterij te plaatsen. (zie afbeelding 1).
2. Om de batterij te plaatsen: aan de onderkant van de afstandsbediening bevindt zich een 'beveiligingslipje' dat u eerst naar rechts moet schuiven. Trek vervolgens de batterijhouder eruit. (zie afbeelding 2). Plaats de batterij met de juiste polariteit. (zie afbeelding 3).
3. Duw het batterijklepje terug in de afstandsbediening.



Vorbereiding Clean Air Optima[®] waterfilter W-01B

Het **waterfilter W-01B** vermindert de kalkaanslag in het water en de ongewenste uitstoot van kalkdeeltjes in de ruimte. Effectief gedurende één tot drie maanden, afhankelijk van de waterhardheid. Hard leidingwater versnelt de verzadiging van het granulaat sneller zodat het **waterfilter W-01B** eerder vervangen moet worden.

1. Spoel het **waterfilter W-01B** gedurende 2 minuten onder koud stromend leidingwater.



2. Draai het **waterfilter W-01B** op het deksel van de watertank.

Het bepalen van de waterhardheid:

1. Dompel de bijgevoegde teststrip gedurende 1 seconde in een glas koud leidingwater.



2. Lees de waterhardheidsteststrip na één minuut af.
3. Raadpleeg de tabel om de verwachte duur van het **waterfilter W-01B** te bepalen.

■ ■ ■ ■	= 3 maanden
■ ■ ■ ■	= 3 maanden
■ ■ ■ ■	= 2 maanden
■ ■ ■ ■	= 2 maanden
■ ■ ■ ■	= 1 maand


Gooi het verzadigde **waterfilter W-01B** bij uw gewoon huishoudelijk afval.

Het **waterfilter W-01B** mag niet langer dan opgegeven gebruikt worden.

U kunt het **waterfilter W-01B** in onze online winkel www.cleanairoptima.com bestellen.

Het vervangen van de Clean Air Optima[®] waterfilter W-01B

De **Clean Air Optima CA-607B** is uitgerust met een bewakingsmechanisme voor de levensduur van het waterfilter, dat aangeeft dat het waterfilter na 400 werkuren moet worden vervangen. Om aan te geven dat het **waterfilter W-01B** moet worden vervangen, begint het

controlelampje dubbel nul  van de luchtbevochtiger te knipperen. Reset de timer voor het waterfilter door de aan/uit-knop ongeveer 3 seconden ingedrukt te houden. Als het controlelampje uitgaat, is de timer met succes gereset.

Het plaatsen/vervangen van de Clean Air Optima[®] Zilver Ion SI-01

De **Zilver Ion SI-01** maakt gebruik van de antimicrobiële werking van zilver. Dit voorkomt de groei van bacteriën en geuren in het water. De **Zilver Ion SI-01** werkt zelfs wanneer uw luchtbevochtiger uitgeschakeld is zodat het water schoon blijft.

Vervang de **Zilver Ion SI-01** aan het begin van het luchtbevochtigingsseizoen of vervang de **Zilver Ion SI-01** na een jaar gebruik.

Het vervangen van de Zilver Ion SI-01:

1. Pak de watertank bij de handgreep aan de bovenkant vast en til hem van de basis.



2. Haal de gebruikte **Zilver Ion SI-01** eruit.



3. Plaats de nieuwe **Zilver Ion SI-01**.

Gooi de **Zilver Ion SI-01** bij uw gewoon huishoudelijk afval.

De **Zilver Ion SI-01** mag niet langer worden gebruikt dan opgegeven.

U kunt de **Zilver Ion SI-01** in onze online winkel www.cleanairoptima.com bestellen.

Aromatherapie

Het activeren van de aromafunctie:

- Haal het aromabakje uit de houder.
- Giet 5 tot 10 druppels Clean Air Optima[®] etherische olie op de spons.
- Plaats het aromabakje terug in de houder.
- Wanneer u uw luchtbevochtiger inschakelt, wordt de aromafunctie geactiveerd.
- Als u de aromafunctie wilt uitschakelen of als u het apparaat langere tijd niet gebruikt, verwijder dan de aromaspons uit het vakje en was deze met een beetje mild zeepwater. Laat de spons volledig drogen alvorens deze terug te plaatsen in het aromavakje. In principe is de aromaspons herbruikbaar.



Belangrijk

Om de beste resultaten te bereiken en zo veel mogelijk te genieten van uw ultrasone luchtbevochtiger, raden wij u aan de volgende instructies met betrekking tot het gebruik van etherische oliën in de ultrasone luchtbevochtiger CA-607B aandachtig te lezen.

Gebruik van etherische oliën in de CA-607B

Gebruik onze hoogwaardige etherische oliën en geniet van uw persoonlijke aromatherapie! Een geursensatie op het hoogste niveau!

In ons assortiment vindt u etherische oliën van hoge kwaliteit in diverse geuren. Ze passen perfect bij de ultrasone luchtbevochtiger CA-607B en zijn speciaal ontwikkeld voor het gebruik met deze ultrasone luchtbevochtiger:



U kunt de **etherische oliën** in onze online winkel www.cleanairoptima.com bestellen.

Waarschuwing!

Het gebruik van andere etherische oliën die niet voor deze luchtbevochtiger zijn gemaakt of andere additieven (bijvoorbeeld: geuren en waterzuiveringsproducten) kan de luchtbevochtiger beschadigen. Deze mogen bijgevolg NIET gebruikt worden! **Doe nooit andere zuivere etherische oliën of andere additieven in de watertank of het waterbassin! Zelfs een kleine hoeveelheid kan het plastic beschadigen en scheuren veroorzaken.** Het materiaal is niet gemaakt voor het gebruik van additieven. Eén druppel is voldoende om de watertank/het waterbassin te beschadigen en het apparaat onbruikbaar te maken. Apparaten die door additieven beschadigd zijn, vallen niet onder de garantie.

Reiniging en onderhoud

U kunt ervoor zorgen dat uw **Clean Air Optima[®] CA-607B** luchtbevochtiger jarenlang probleemloos werkt door enkele eenvoudige onderhoudsprocedures in acht te nemen. Als uw water hard is en hoge concentraties calcium en andere mineralen bevat, zal na verloop van tijd wit stof zich op de verschillende oppervlakken in de ruimte gaan afzetten. Ook in het waterbassin, op de transducer en op het binnenoppervlak van de watertank zal een soort witte aanslag ontstaan. Deze witte aanslag zal de goede werking van de transducer en het apparaat belemmeren.

Wij adviseren het volgende

1. Reinig de transducer, watertank en het waterbassin eenmaal per week als u het apparaat dagelijks gebruikt.
2. Giet het resterende water uit de watertank en vul deze met vers water zodra de watertank moet worden bijgevuld.
3. Reinig het hele apparaat en houd alle onderdelen volledig droog wanneer het apparaat niet in gebruik is.

Reiniging van de transducer

1. Verdeel 5-10 druppels azijn op het oppervlak van de transducer en laat alles 2-5 minuten inwerken.
2. Verwijder het minerale laagje voorzichtig van het oppervlak van de transducer met een kleine borstel, wattenstaafje of tandenborstel.
3. Spoel de transducer daarna af met schoon water.
4. Gebruik nooit scherpe of harde voorwerpen om de transducer te reinigen.



Reiniging van het waterbassin

1. Reinig het waterbassin met een zachte, vochtige doek. Doordrenk de doek met azijn als er overvloedige aanslag op het oppervlak zit en herhaal het proces.
2. Als er aanslag in een van de randjes langs het bassin zit, laat dan een beetje azijn in het randje vallen en maak dit schoon met een borstel.
3. Spoel het waterbassin af met schoon water.

Probleemoplossing

Onderstaande gids helpt u bij het oplossen van problemen die u kunt ondervinden bij het gebruik van de **Clean Air Optima[®] ultrasone luchtbevochtiger CA-607B**.

Probleem	Mogelijke oorzaak	Oplossing
Geen nevel verspreid.	De stekker zit niet in het stopcontact. Aan/uit-knop niet geactiveerd. Lege watertank. Niet genoeg water in de tank.	Sluit het apparaat aan. Druk op de aan/uit-knop. Vul de tank met water. Vul de tank bij met water.
De nevel heeft een vreemde geur.	Een nieuw apparaat. Er zit vuil water in of het water heeft te lang stilgestaan.	Verwijder de watertank, draai het deksel eraf en laat alles 12 uur in een koele ruimte luchten. Reinig de watertank en vul deze weer met schoon water.
De hoeveelheid sproeinevel is te laag.	Te veel minerale aanslag in het waterbassin en op de transducer. Het water is te vuil of het water werd te lang in de tank bewaard.	Schone transducer. Reinig de watertank en vul deze bij met schoon water.
Het apparaat maakt veel lawaai.	Watertank niet correct geplaatst. Niet genoeg water in de watertank. Het apparaat staat op een instabiel oppervlak.	Plaats de watertank correct op de basis. Vul het water in de watertank bij. Plaats het apparaat op een stevige en vlakke ondergrond.
Er komt sproeinevel uit het gebied rond de sproeikop.	Er zijn openingen tussen de behuizing rond de sproeikop en de bovenkant van de watertank.	Verwijder de sproeikop van de bovenkant van de watertank en reinig deze met een vochtige doek. Bevestig opnieuw aan de watertank.

Als uw water erg hard is (met een abnormaal hoog mineraalgehalte) kan de luchtbevochtiger wit stof produceren. Dit is geen storing. De oplossing zou zijn om het waterfilter W-01B vaker te vervangen of zachter water zoals gedestilleerd water te gebruiken. Of we kunnen Clean Air Optima Air Washers aanbevelen. Meer info hierover in onze online winkel www.cleanairoptima.com.

WAARSCHUWING!

Als de hierboven aanbevolen oplossingen niet werken, neem dan contact op met de technische ondersteuning van Clean Air Optima op het telefoonnummer voor uw regio. Probeer het apparaat niet te demonteren, opnieuw in elkaar te zetten of te repareren, aangezien dit de garantie kan doen vervallen.

Specificaties

Model	CA-607B
Voor kamers tot	65 m ² / 160 m ³ / 699 ft ²
Nominale spanning	220-240 V / 60 Hz
Nominaal vermogen	25 W - max. 105 W
Capaciteit luchtbevochtiging	Min. 120 ml/u - max. 480 ml/u
Actief zuurstof	< 0,05 ppm
Geluidsniveau	Stille ventilator < 25 dB (A)
Afmetingen	230 x 150 x 370 mm
Gewicht	3,4 kg
Inhoud watertank	5,5 l
Kleur	Zwart met gerookt glazen watertank

Volvoet aan de EU-regelgeving CE / WEEE / RoHS

Vraag uw verkoper of uw gemeente om actuele informatie over de verwijdering van de verpakking en van het apparaat.



Service

Garantiecertificaat voor de Clean Air Optima[®] ultrasone luchtbevochtiger CA-607B.

Aankoopdatum:
Naam van de klant:
Adres:
Telefoon:
E-mail:
Naam van de verkoper:
Adres:

1. Gelieve dit garantiecertificaat volledig in te vullen. Verzond het met de factuur en het apparaat, voldoende gefrankeerd en in de originele verpakkingsdoos, naar uw verkoper. Zorg dat u ook de retourzending van het pakket voldoende frankeert.
2. Gelieve een korte beschrijving bij te voegen van de schade, fout of storing en de omstandigheden waarin de problemen zich voordeden.

De **Clean Air Optima[®] ultrasone luchtbevochtiger CA-607B** ondergaat strenge testprocedures voordat het apparaat de fabriek verlaat. Indien het product binnen de 2 jaar na aankoopdatum wegens fabricagefouten niet volgens de specificaties functioneert, heeft de koper recht op gratis herstelling of vervanging van onderdelen op voorlegging van deze garantie (op voorwaarde dat de storing of beschadiging van het apparaat en/of onderdelen onder normale bedrijfsomstandigheden heeft plaatsgevonden). Wat wordt gedekt: Alle onderdelen met materiaal- of fabricagefouten. Hoe lang: gedurende twee jaar vanaf de aankoopdatum. Wat zullen we doen: Defecte onderdelen repareren of vervangen.

Overige voorwaarden

De bepalingen van deze garantie vervangen elke andere schriftelijke of mondelinge, uitdrukkelijke of impliciete garantie, met inbegrip van elke garantie van verkoopbaarheid of geschiktheid voor een bepaald doel. De maximale aansprakelijkheid van de fabrikant bedraagt niet meer dan de aankoopprijs die u daadwerkelijk voor het product heeft betaald. De fabrikant is in geen geval aansprakelijk voor bijzondere schade, incidentele schade, gevolgschade of indirecte schade. Deze garantie dekt geen defecten die het gevolg zijn van onjuist of onredelijk gebruik of onderhoud, foutieve montage, ongeval, natuurrampen, onjuiste verpakking of ongeoorloofde manipulatie, veranderingen of wijzigingen zoals uitsluitend door ons bepaald. Deze garantie vervalt als het etiket met het serienummer is verwijderd of beschadigd.

Doe nooit andere zuivere etherische oliën of andere additieven in de watertank of het waterbassin! Zelfs een kleine hoeveelheid kan het plastic beschadigen en scheuren veroorzaken.

Bedankt om dit te lezen!



Deel uw feedback over de Clean Air Optima®
ultrasone luchtbevochtiger CA-607B op:
www.cleanairoptima.com



Ga voor veelgestelde vragen over de CA-607B naar:
www.cleanairoptima.com en zoek naar de CA-607B.



Download de pdf-handleiding op:
www.cleanairoptima.com/info/manuals



Bekijk alle Clean Air Optima®
productanimatievideo's op:
www.youtube.com

Clean Air Optima International B.V. | David Ricardostraat 9-7 / 9-9 | 7559 SH Hengelo (ov)
Nederland | Telefoon: +31 (0) 74 - 2670145

Clean Air Optima Duitsland GmbH | Enschedestraße 14 | 48529 Nordhorn | Telefoon
Duitsland: +49 (0) 5921 879-121

E-mail: info@cleanairoptima.com

Internet: www.cleanairoptima.com

Français

Merci d'avoir acheté l'humidificateur à ultrasons Clean Air Optima® CA-607B.

Grâce à cet appareil efficace, vous bénéficierez d'un air intérieur sain durant de nombreuses années.

Ces instructions décrivent les consignes de sécurité à respecter lors du fonctionnement de l'appareil. Elles sont destinées à prévenir les blessures et à éviter d'endommager l'appareil.

Description de l'appareil

Les principaux composants de l'appareil sont les suivants :

1. Buse de production de brouillard
2. Poignée
3. Réservoir d'eau
4. Flotteur
5. Boîte à arômes
6. Cordon d'alimentation
7. Élément chauffant PTC
8. Couvercle du réservoir d'eau et filtre

Avertissements de sécurité

Cet appareil ne peut être utilisé que conformément aux instructions de sécurité indiquées dans le présent document. Veillez à adopter les mesures suivantes afin de minimiser les risques de blessures corporelles dues par exemple à des chocs électriques ou un incendie.

1. Uniquement pour utilisation intérieure. N'utilisez pas et n'entreposez pas l'appareil à l'extérieur.
2. Utilisez la tension appropriée : CA 220 V - 240 V, 50/60 Hz
3. Le transducteur ultrasonique interne est très sensible. Ne le touchez pas avec les doigts et ne le grattez pas à l'aide d'outils métalliques, car cela diminuerait le débit de brouillard. Pour le nettoyage de cette zone, utilisez une petite brosse de nettoyage, un coton-tige ou une brosse à dents. N'utilisez pas d'eau chaude car cela pourrait endommager les pièces responsables de la production de brouillard.
4. L'appareil n'est pas destiné à être utilisé par des enfants ou des personnes ayant des capacités physiques, sensorielles ou mentales réduites, sauf s'ils sont surveillés par une personne responsable de leur sécurité.
5. Les enfants doivent être maintenus à l'écart à moins d'être surveillés en permanence.
6. Afin d'utiliser l'appareil en toute sécurité, placez-le en position horizontale stable. Ne bougez pas l'appareil en cours d'utilisation.
7. Pour éviter toute interférence et tout dommage aux autres appareils électroniques, cette machine doit être disposée à au moins 1 mètre d'un ordinateur, d'un téléviseur, d'une radio ou de tout autre équipement électronique.
8. N'utilisez pas l'appareil si des dommages visibles sont présents sur le cordon électrique ou l'appareil lui-même. Ne réparez pas l'appareil vous-même en cas de dommages. Ne déplacez jamais l'appareil en tirant sur le cordon d'alimentation. Si le cordon d'alimentation est endommagé, il doit être remplacé par un technicien autorisé, et ce, afin d'éviter tout choc électrique ou incendie.
9. Les réparations ne peuvent être effectuées que par du personnel de service autorisé. N'essayez pas de réparer l'appareil vous-même, et ce, afin d'éviter tout risque d'électrocution ou d'incendie.
10. Ôtez toujours la fiche de la prise de courant lorsque l'appareil n'est pas utilisé ou lorsque vous nettoyez des parties internes ou externes de celui-ci.
11. Retirez le réservoir d'eau avant de déplacer l'appareil.
12. Utilisez uniquement les cordons d'alimentation fournis.
13. N'utilisez pas l'appareil à l'intérieur de locaux où sont entreposés des liquides ou des gaz inflammables, à proximité de sources de chaleur ou dans des pièces particulièrement humides comme des salles de bains, des douches ou des piscines.
14. N'insérez pas d'objets étrangers dans l'appareil, et ce, afin d'éviter tout dysfonctionnement.
15. Ne démontez ni ne remplacez jamais les éléments internes de l'appareil.
16. N'exposez pas l'appareil à la lumière directe du soleil afin d'éviter toute décoloration.
17. N'immergez jamais l'appareil dans l'eau ou dans d'autres liquides.
18. Ne touchez pas le cordon d'alimentation avec les mains mouillées.
19. Ne touchez pas le brouillard chaud de près.
20. Nettoyez et séchez l'appareil avant son stockage (et éliminez également toute trace d'eau à l'intérieur de l'appareil). Entreposez la machine dans un endroit frais et sec, hors de portée des enfants.
21. Ne nettoyez pas le puits d'eau lorsque l'eau est encore chaude.
22. Utilisez, entretenez et nettoyez l'appareil comme décrit dans ce manuel.

Instructions d'utilisation

Avant de commencer, retirez le Clean Air Optima[®] CA-607B de sa boîte et laissez l'appareil s'habituer à la température ambiante pendant au moins 30 minutes, surtout si la machine a été refroidie par de l'air extérieur. Placez l'appareil sur une surface solide, plane et étanche à l'eau, à environ 60 cm du sol et à au moins 20 cm du mur.

Le CA-607B est conçu pour fonctionner à des températures comprises entre 5 et 40°C, et à une humidité relative inférieure à 80 %.

Pour commencer, saisissez le réservoir d'eau à l'aide de la **poignée** située sur le dessus et soulevez-le à partir de sa base. Retournez ensuite le réservoir, dévissez-le et retirez le **couvercle du réservoir d'eau ainsi que le filtre**.

Poignée



Couvercle du réservoir d'eau et filtre



Robinet de remplissage



Placez ensuite le réservoir d'eau sous le **robinet** de remplissage, en le saisissant par la poignée située sous le réservoir. Remplissez le réservoir à l'aide d'eau du robinet (ou d'une autre source d'eau propre dont la température est inférieure à 40°C), puis remettez le couvercle et le filtre en place. Retournez à nouveau le réservoir d'eau de telle sorte qu'il se retrouve sur le côté droit et vers le haut. Assurez-vous que le bassin est propre et remplacez soigneusement le réservoir d'eau sur la partie inférieure du caisson.

Patientez quelques secondes jusqu'à ce que le couvercle du réservoir d'eau commence à libérer de l'eau dans le bassin. Vous entendrez alors un bruit de bulles lorsque de l'air entrera à l'intérieur du réservoir d'eau. Branchez la fiche d'alimentation à une prise de courant appropriée ; un signal sonore indique que votre appareil est en mode veille. Lorsque vous allumez ou que vous éteignez l'humidificateur, les valeurs de température (**marge d'environ 2 à 5 degrés de différence par rapport à la température ambiante**) et de taux d'humidité s'affichent.



Bouton d'alimentation :

Appuyez sur le **bouton d'alimentation** pour mettre l'humidificateur en marche. La machine fonctionne alors en mode manuel. Elle libère alors un brouillard froid de façon constante, le niveau d'intensité du brouillard étant automatiquement réglé sur Moyen.




Bouton Manuel :

Le **bouton Manuel** permet de modifier le niveau de brouillard (Faible, Moyen, Élevé). Il y a 3 débits de brouillard disponibles.



Sécurité enfant :

La sécurité enfant est une protection contre toute utilisation non souhaitée de l'appareil. Pour activer / désactiver la **sécurité enfant**, appuyez pendant 3 secondes sur le **bouton Manuel**. Lorsque la sécurité enfant est activée, une icône  de verrouillage rouge s'affiche à l'écran.



Bouton Taux d'humidité

Vous pouvez sélectionner le taux d'humidité souhaité en appuyant plusieurs fois sur le **bouton Taux d'humidité**, jusqu'à ce que le taux d'humidité désiré soit affiché (de 40 % à 80 % par incréments de 5 %). Une fois que vous avez sélectionné le taux d'humidité désiré, arrêtez d'appuyer sur le bouton pour définir le taux d'humidité.

Lorsque le taux d'humidité dans la pièce est égal au taux d'humidité défini, la machine se met automatiquement en veille et arrête la production de brouillard au bout de **1** minute. Lorsque le taux d'humidité réel dans la pièce redevient inférieur au taux d'humidité défini, la machine recommence à produire du brouillard.



Bouton Mode :

Appuyez à nouveau une fois sur le **bouton Mode** pour activer le mode Veille, appuyez 2 fois pour activer le mode Auto, 3 fois pour le mode Bébé et 4 fois pour le mode Santé. (Veille-Auto-Bébé-Santé-Veille, etc.)



Mode Veille :

Lorsque le mode Veille est activé, l'affichage s'éteint au bout de 10 secondes. Seul le voyant du mode Veille est allumé.

Mode Auto :

En fonction de la température, l'humidificateur définit le taux d'humidité optimal.

Température de l'air, degrés Celsius	Taux d'humidité %
19 et moins	65
20-21	60
22-23	55
24-25	50
26-27	45
28-29	40

- L'appareil détermine la température dans l'environnement de l'appareil (marge d'environ 2 à 5 degrés de différence par rapport à la température ambiante réelle).
- Les niveaux d'humidité optimaux aux différentes températures sont issus de la base de données de l'appareil.
- L'appareil fonctionne à la puissance maximale jusqu'à ce que le taux d'humidité optimal soit atteint.
- Une fois le taux d'humidité optimal atteint, l'humidification s'arrête.
- L'appareil vérifie toutes les 10 minutes la conformité du niveau de température et du taux d'humidité.

Mode Bébé :

Lorsque le **mode Bébé** est activé, l'appareil active la fonction de brouillard chaud et de lumière UV, et commence à atteindre un taux d'humidité de 55 % à la puissance maximale. Une fois le taux d'humidité de 55 % atteint, l'humidification s'arrête. L'appareil contrôle le taux d'humidité toutes les 10 minutes.

Mode Santé :

Lorsque le **mode Santé** est sélectionné, l'appareil active la fonction de brouillard chaud et de lumière UV, calcule le taux d'humidité optimal et commence à l'atteindre à la puissance maximale. Le taux d'humidité optimal en mode Santé est calculé comme en mode Auto, la seule différence étant que l'appareil ajoute 5 % au résultat.

Exemple :

Taux d'humidité optimal en mode Auto = 50 %, taux d'humidité optimal en mode Santé = 50 + 5 = 55 %

Lorsque le taux d'humidité optimal est atteint, l'humidification cesse. L'appareil vérifie toutes les 15 minutes la conformité du niveau de température et du taux d'humidité.



Bouton Ions négatifs :

Appuyez sur le **bouton Ions négatifs** pour activer le générateur d'ions négatifs avec une capacité totale supérieure à 3.000.000 ions négatifs/cm³, répartis dans toute la pièce et neutralisant ainsi les polluants et les odeurs. Les ions négatifs se fixent sur les particules de poussière, les microorganismes et autres particules indésirables présentes dans l'air, et les relient ensemble. Les particules en question deviennent ainsi plus lourdes que l'air et tombent sur le sol, de telle sorte que vous ne risquez plus de les respirer.

On trouve principalement des ions négatifs dans les forêts, les montagnes et sur les côtes. Ils permettent de garantir un air frais et sain.



Bouton Minuterie :

Appuyez sur le **bouton Minuterie** pour régler la minuterie. La fonction de minuterie détermine le nombre d'heures de fonctionnement de l'humidificateur. Vous pouvez régler la minuterie en appuyant simplement une fois sur le bouton pour chaque heure pendant laquelle vous souhaitez faire fonctionner l'appareil. La minuterie peut être réglée sur une période allant de 1 heure à 12 heures. Au fur et à mesure que le temps passe, la valeur indiquée diminue jusqu'à ce qu'elle arrive à 00:00 et que l'appareil s'éteigne.




Bouton Chauffage :

Appuyez sur le **bouton Chauffage** pour activer la fonction de brouillard chaud, trois lignes verticales ondulées apparaissent alors sur l'écran LCD. L'eau est chauffée dans le bassin par un élément chauffant PTC, et ce, à une température supérieure à 65 degrés afin de garantir une destruction efficace des bactéries (Legionella). Le chauffage de l'eau rend le débit de brouillard plus fin pour une humidification plus rapide et plus efficace.



Bouton Lumière UV :

Maintenez le **bouton Lumière UV** enfoncé pendant 3 secondes ; l'appareil démarre alors la fonction de stérilisation UV, qui tue les bactéries présentes dans le flux d'air du débit de brouillard, avant que celui-ci ne pénètre dans la pièce. L'icône de lumière UV  apparaît sur l'écran LED. Appuyez à nouveau sur le bouton et maintenez-le enfoncé pendant 3 secondes afin d'arrêter la fonction de lumière UV.

Arrêt automatique lorsque le réservoir d'eau est vide.

Lorsque le réservoir d'eau est vide, un triple signal sonore retentit. Le symbole correspondant



s'allume à l'écran tandis que les autres voyants s'éteignent. L'appareil arrête automatiquement l'humidification. Dans ce cas, éteignez l'appareil à l'aide du bouton MARCHE / ARRÊT. Laissez refroidir l'appareil avant de rajouter de l'eau dans le réservoir.

Attention : L'appareil ainsi que l'eau contenue dans la chambre de nébulisation (bassin) peuvent être très chauds. En soulevant l'appareil ou en retirant le réservoir d'eau juste après l'arrêt de la machine, vous risqueriez de vous brûler !

Veillez à ce que le réservoir d'eau soit toujours entièrement rempli.

Télécommande

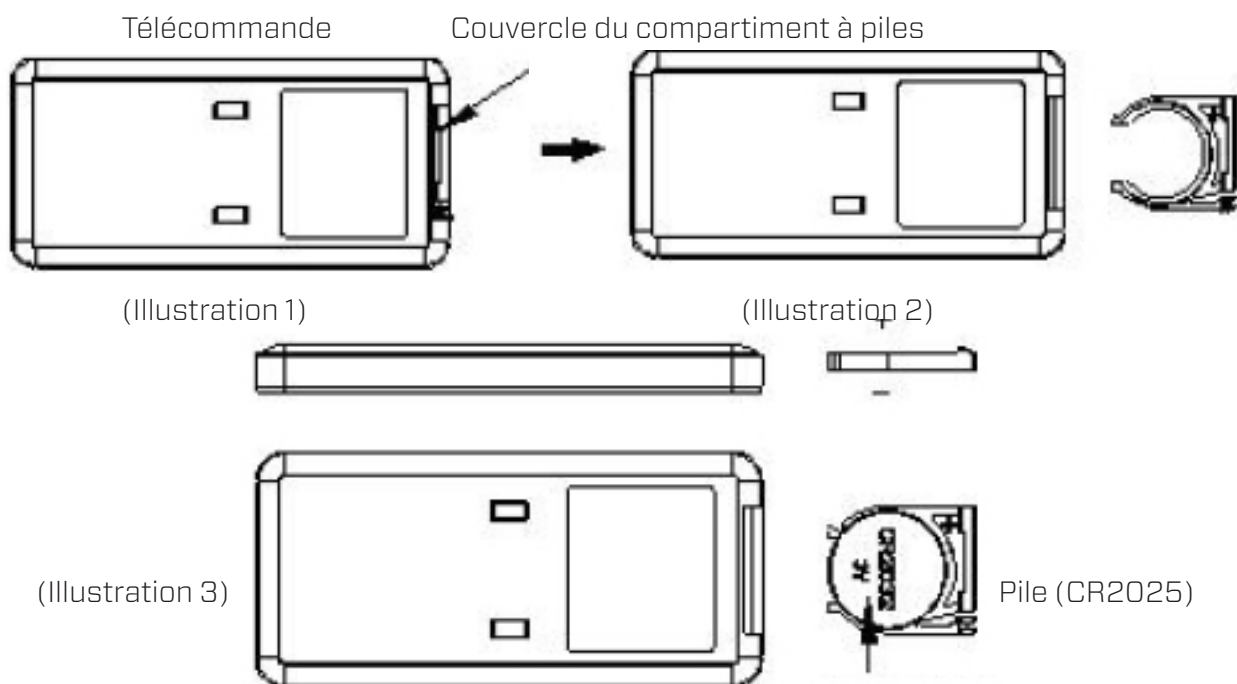
Boutons de votre télécommande :

1. Mode Veille
2. Mode Auto
3. Mode Bébé
4. Mode Santé
5. Taux d'humidité souhaité
6. Min. / Max.
7. MARCHÉ / ARRÊT
8. Minuterie
9. Chauffage
10. Lumière UV
11. Ions négatifs
12. Sécurité enfant



Remplacement des piles de la télécommande

1. Ouvrez le couvercle du compartiment à piles situé à l'arrière de la télécommande pour placer la pile. (Voir l'illustration 1).
2. Pour installer la pile : faites glisser vers la droite la « languette de sécurité » située au bas de la télécommande et retirez ensuite la pile. (Voir l'illustration 2). Insérez la pile avec la polarité correcte. (Voir l'illustration 3).
3. Remplacez le couvercle du compartiment à piles sur la télécommande.



Préparation du filtre à eau W-01B du Clean Air Optima®

Le **filtre à eau W-01B** diminue la quantité de tartre présente dans l'eau et réduit l'émission indésirable de particules de tartre dans l'environnement ambiant. Ce filtre est efficace pendant une période allant de un à trois mois, en fonction de la dureté de l'eau. L'eau dure du robinet accélère la saturation du granulat, ce qui nécessite le remplacement précoce du **filtre à eau W-01B**.

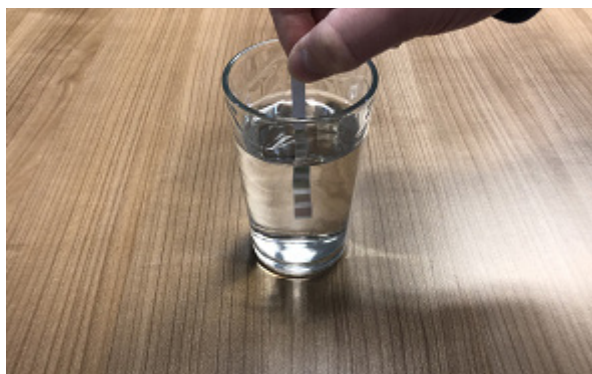
1. Rincez le **filtre à eau W-01B** pendant 2 minutes sous l'eau froide du robinet.



2. Vissez le **filtre à eau W-01B** sur le couvercle du réservoir d'eau.

Détermination de la dureté de l'eau :

1. Plongez la bandelette de test fournie dans un verre d'eau froide du robinet pendant 1 seconde.



2. Au bout d'une minute, lisez la bandelette de test de dureté de l'eau.
3. Référez-vous au tableau pour déterminer la durée prévue du **filtre à eau W-01B**.

■ ■ ■ ■	= 3 mois
■ ■ ■ ■	= 3 mois
■ ■ ■ ■	= 2 mois
■ ■ ■ ■	= 2 mois
■ ■ ■ ■	= 1 mois

Éliminez le **filtre à eau W-01B** saturé avec vos ordures ménagères classiques.

Le **filtre à eau W-01B** ne doit pas être utilisé plus longtemps que la durée indiquée. Vous pouvez commander le **filtre à eau W-01B** dans notre boutique en ligne à l'adresse www.cleanairoptima.com.

Remplacement du filtre à eau W-01B du Clean Air Optima[®]

Le **Clean Air Optima CA-607B** est équipé d'un mécanisme de surveillance de la durée de vie du filtre qui indique que le filtre à eau doit être remplacé au bout de 400 heures de fonctionnement. Pour signaler que le **filtre à eau W-01B** doit être remplacé, l'humidificateur émet un



témoin lumineux représentant un double zéro. Réinitialisez la minuterie du filtre à eau en appuyant sur le bouton d'alimentation pendant environ 3 secondes. Si le voyant s'éteint, cela signifie que la minuterie a été réinitialisée avec succès.

Placement/Remplacement du Silver Ion SI-01 Clean Air Optima[®]

Le **Silver Ion SI-01** utilise l'effet antimicrobien de l'argent, il empêche la croissance des bactéries et le développement d'odeurs dans l'eau. Le **Silver Ion SI-01** fonctionne même quand votre humidificateur est éteint, donc l'eau reste fraîche.

Remplacez le **Silver Ion SI-01** au début de la saison d'humidification ou remplacez le **Silver Ion SI-01** après une année d'utilisation.

Remplacement du Silver Ion SI-01 :

1. Saisissez le réservoir d'eau par la poignée située sur le dessus et soulevez-le de la base.



2. Retirez le **Silver Ion SI-01** usagé.



3. Insérez le **Silver Ion SI-01** neuf.

Éliminez le **Silver Ion SI-01** avec vos ordures ménagères normales.

Le **Silver Ion SI-01** ne doit pas être utilisé plus longtemps que la durée indiquée.

Vous pouvez commander le **Silver Ion SI-01** dans notre boutique en ligne à l'adresse

www.cleanairoptima.com.

Aromathérapie

Activation de la fonction aromatique :

- Retirez le plateau à arômes de son support.
- Versez 5 à 10 gouttes d'huile essentielle Clean Air Optima[®] sur l'éponge.
- Remplacez le plateau à arômes dans son support.
- Lorsque vous allumez votre humidificateur d'air, la fonction aromatique est activée.
- Si vous souhaitez désactiver la fonction aromatique ou si vous prévoyez de ne pas utiliser l'appareil pendant une période prolongée, retirez l'éponge aromatique du compartiment et lavez-la avec un peu d'eau savonneuse. Laissez-la sécher complètement avant de la replacer dans le compartiment à arômes. L'éponge aromatique est réutilisable.



Important

Afin d'obtenir les meilleurs résultats et de profiter au maximum de votre humidificateur d'air à ultrasons, nous vous conseillons de lire attentivement les instructions suivantes concernant l'utilisation des huiles essentielles dans l'humidificateur d'air à ultrasons CA-607B.

Utilisation des huiles essentielles dans le CA-607B

Utilisez nos huiles essentielles de haute qualité et profitez de votre aromathérapie personnelle ! Une sensation olfactive à son plus haut niveau ! Vous trouverez dans notre assortiment des huiles essentielles de haute qualité et présentant de nombreuses senteurs différentes. Ces huiles s'adaptent parfaitement à l'humidificateur d'air à ultrasons CA-607B et ont été spécialement développées pour être utilisées avec ce modèle d'humidificateur à ultrasons :



Vous pouvez commander les **huiles essentielles** dans notre boutique en ligne à l'adresse www.cleanairoptima.com.

Avertissement !

L'utilisation d'autres huiles essentielles non conçues spécifiquement pour cet humidificateur d'air, ou d'autres additifs (par exemple : parfums et produits de purification de l'eau), risque d'endommager l'humidificateur et EST INTERDITE ! **Ne versez jamais d'autres huiles essentielles pures ou d'autres additifs dans le réservoir d'eau ou le bassin d'eau ! Même une faible quantité de ces produits peut endommager le plastique et provoquer des fissures.** Le matériau n'a pas été conçu pour l'utilisation d'additifs. Une goutte suffit pour endommager le réservoir ou le bassin d'eau, et empêcher l'appareil de fonctionner. Les appareils endommagés par des additifs sont exclus de la garantie.

Nettoyage et entretien

Vous pouvez être assuré de nombreuses années de fonctionnement sans le moindre problème de votre **Clean Air Optima[®] CA-607B** si vous suivez quelques procédures d'entretien simples. Si votre eau est dure et contient d'importantes concentrations de calcium et d'autres minéraux, une poussière blanche commencera à se déposer sur les différentes surfaces du local au bout d'un certain temps. Une substance blanche, semblable à un film, commencera également à se développer dans le bassin d'eau, sur le transducteur ainsi que sur la surface intérieure du réservoir d'eau. Ce film blanchâtre empêchera le bon fonctionnement du transducteur ainsi que celui de la machine.

Nous vous recommandons de respecter les conseils suivants :

1. Si vous utilisez l'appareil quotidiennement, nettoyez le transducteur, le réservoir d'eau et le bassin une fois par semaine.
2. Lorsque l'appoint du réservoir d'eau est nécessaire, videz l'eau restante du réservoir et remplissez-le avec de l'eau fraîche.
3. Nettoyez l'ensemble de l'appareil et assurez-vous de conserver toutes les pièces au sec lorsque l'appareil n'est pas utilisé.

Nettoyage du transducteur

1. Placez 5 à 10 gouttes de vinaigre sur la surface du transducteur et patientez de 2 à 5 minutes.
2. À l'aide d'une petite brosse, d'un coton-tige ou d'une brosse à dents, nettoyez délicatement le film minéral présent sur la surface du transducteur.
3. Rincez le transducteur à l'eau claire.
4. N'utilisez jamais d'objets pointus ou solides pour nettoyer le transducteur.



Nettoyage du bassin d'eau

1. Nettoyez le bassin d'eau au moyen d'un chiffon doux et humide. En cas de présence d'un film en excès sur les surfaces, trempez le chiffon dans du vinaigre et répétez l'opération.
2. Si un film est présent dans l'un des creux situés le long du bassin, déposez un peu de vinaigre dans le creux et nettoyez-le à l'aide d'un pinceau.
3. Rincez le bassin à l'eau claire.

Dépannage

Vous trouverez ci-dessous un guide de dépannage destiné à vous aider à résoudre tous les problèmes que vous pourrez rencontrer lors de l'utilisation de l'humidificateur à ultrasons **Clean Air Optima® CA-607B**.

Problème	Cause possible	Solution
Absence de diffusion de brouillard.	La fiche d'alimentation n'est pas branchée. Le bouton MARCHÉ / ARRÊT n'a pas été activé. Videz le réservoir d'eau. Quantité d'eau insuffisante dans le réservoir.	Branchez l'appareil. Appuyez sur le bouton MARCHÉ / ARRÊT. Remplissez le réservoir avec de l'eau. Ajoutez de l'eau dans le réservoir.
Le brouillard présente une odeur anormale.	Il s'agit d'un nouvel appareil. Soit il y a de l'eau sale, soit de l'eau stagne depuis trop longtemps.	Retirez le réservoir d'eau, dévissez le couvercle et laissez le réservoir s'aérer dans un endroit frais pendant 12 heures. Nettoyez le réservoir d'eau et remplissez-le avec de l'eau propre.
Le débit du brouillard de pulvérisation est trop faible.	Entartrage minéral trop important dans le bassin d'eau et sur le transducteur. L'eau est trop sale ou est restée trop longtemps à l'intérieur du réservoir.	Nettoyez le transducteur. Nettoyez le réservoir d'eau et remplissez-le avec de l'eau propre.
L'appareil est bruyant.	Le réservoir d'eau n'est pas correctement positionné. Quantité d'eau insuffisante dans le réservoir. L'appareil se trouve sur une surface instable.	Positionnez correctement le réservoir d'eau sur sa base. Remplissez le réservoir d'eau. Placez l'appareil sur un support solide et plan.
Un brouillard de pulvérisation s'échappe de la zone située autour de la buse de production de brouillard.	Présence d'un espace libre entre la partie du caisson située autour de la buse et le sommet du réservoir d'eau.	Ôtez la buse à partir du haut du réservoir d'eau et nettoyez-la à l'aide d'un chiffon humide. Remettez le réservoir d'eau en place.

Si votre eau est très dure (teneur en minéraux anormalement élevée), il se peut que l'humidificateur produise une poussière blanche. Il ne s'agit pas d'un dysfonctionnement. La solution consiste à remplacer plus souvent le filtre à eau W-01B ou à utiliser une eau plus douce, par exemple de l'eau distillée. Nous vous recommandons également d'utiliser des Clean Air Optima Air Washers ; plus d'infos dans notre boutique en ligne www.cleanairoptima.com.

AVERTISSEMENT !

Si les solutions recommandées ci-dessus ne fonctionnent pas, veuillez contacter le support technique Clean Air Optima à l'aide du numéro de téléphone correspondant à votre région. N'essayez pas de démonter, de remonter ou de réparer l'appareil, car cela pourrait avoir pour effet d'annuler la garantie.

Spécifications

Modèle	CA-607B
Pour des locaux jusqu'à	65 m ² / 160 m ³ / 699 ft ²
Tension nominale	220 V - 240 V, 50/60 Hz
Puissance nominale	25 W - Max. 105 W
Capacité d'humidification de l'air	Min. 120 ml/h - Max. 480 ml/h
Oxygène actif	< 0,05 ppm
Niveau sonore	Ventilateur silencieux < 25 dB(A)
Dimensions	230 x 150 x 370 mm
Poids	3,4 kg
Réservoir d'eau	5,5 l
Couleur	Noir avec réservoir d'eau en verre fumé

Conforme à la réglementation de l'UE CE / WEEE / RoHS

Renseignez-vous auprès de votre détaillant ou de votre municipalité afin d'obtenir des informations mises à jour sur l'évacuation de l'emballage et de l'appareil.



Service après-vente

Certificat de garantie de l'humidificateur à ultrasons Clean Air Optima® CA-607B.

Date d'achat :
Nom du client :
Adresse :
Téléphone :
E-mail :
Nom du revendeur :
Adresse :

1. Veuillez remplir intégralement le présent certificat de garantie. Envoyez-le avec la facture et l'appareil, port payé et dans l'emballage d'origine, à votre distributeur. Assurez-vous d'inclure l'affranchissement de retour approprié pour le colis.
2. Veuillez joindre une brève description du dommage, de la panne ou du dysfonctionnement, ainsi que les circonstances à l'origine de ces problèmes.

L'humidificateur à ultrasons **Clean Air Optima® CA-607B** est soumis à des procédures d'essai strictes avant de quitter l'usine. Si, dans un délai de 2 ans à compter de la date d'achat, le produit ne fonctionne pas conformément aux spécifications en raison de défauts d'usine, l'acheteur a droit à la réparation ou au remplacement gratuit des pièces défectueuses sur simple présentation de cette garantie (à condition que le dysfonctionnement ou les dommages à l'appareil et/ou à ses éléments soient survenus dans des conditions normales de fonctionnement). Ce qui est couvert par la garantie : Toutes les pièces défectueuses, en raison d'un défaut de matériel ou de fabrication. Durée : deux ans à compter de la date d'achat. Ce que nous ferons : Réparer ou remplacer toute pièce défectueuse.

Autres conditions

Les dispositions de la présente garantie remplacent toute autre garantie écrite, expresse ou implicite, écrite ou orale, y compris toute garantie de qualité marchande ou d'adaptation à un usage particulier. La responsabilité maximale du fabricant ne peut pas excéder le prix d'achat réel que vous avez payé pour le produit. En aucun cas, le fabricant ne pourra être tenu responsable de dommages spéciaux, accidentels, conséquents ou indirects. Cette garantie ne couvre pas les défaillances résultant d'une utilisation ou d'un entretien inapproprié ou déraisonnable, d'un montage incorrect, d'un accident ou de catastrophes naturelles, d'un emballage inadéquat, ou d'une falsification, altération ou modification non autorisée, tels que déterminés à notre seule discrétion. La présente garantie est nulle si l'étiquette portant le numéro de série a été retirée ou effacée.

Ne mettez jamais d'autres huiles essentielles pures ou d'autres additifs dans le réservoir d'eau ou le bassin d'eau ! Même une faible quantité de ces produits peut endommager le plastique et provoquer des fissures.

Merci de votre lecture !



Faites-nous part de vos commentaires sur l'humidificateur à ultrasons Clean Air Optima® CA-607B sur : www.cleanairoptima.com



Pour les questions fréquemment posées à propos du CA-607B, accédez à : www.cleanairoptima.com et recherchez le CA-607B.



Télécharger le manuel d'instructions au format PDF sur : www.cleanairoptima.com/info/manuals



Regarder toutes les vidéos d'animation des produits Clean Air Optima® sur : www.youtube.com

Clean Air Optima International B.V. | David Ricardostraat 9-7 / 9-9 | 7559 SH Hengelo (ov)
Pays-Bas | Téléphone : +31 (0) 74 - 2670145

Clean Air Optima Germany GmbH | Enschedestraße 14 | 48529 Nordhorn | Allemagne
Téléphone : +49 (0) 5921 879-121

E-mail : info@cleanairoptima.com

Site Web : www.cleanairoptima.com

Español

Gracias por la compra del humidificador ultrasónico CA-607B de Clean Air Optima®.

Este eficiente y eficaz producto le proporcionará muchos años de aire interior saludable.

En estas instrucciones se explican las medidas de seguridad que debe respetar durante su funcionamiento, las cuales han sido concebidas para evitar daños personales y al propio aparato.

Descripción del aparato

El aparato consta de los siguientes componentes principales:

1. Boquilla de vaporización
2. Asa
3. Depósito de agua
4. Flotador
5. Caja de aromas
6. Cable de alimentación
7. Elemento calentador PTC
8. Tapa y filtro del depósito de agua

Advertencias de seguridad

Siga estas instrucciones de seguridad siempre que utilice el aparato. Siga estos pasos para limitar al máximo el riesgo de daños personales a causa de, por ejemplo, descargas eléctricas o incendios.

1. Solo para uso en interiores. No utilizar ni guardar al aire libre.
2. Use el voltaje adecuado: CC 220 V - 240 V, 50/60 Hz
3. El transductor ultrasónico interno es muy sensible. No lo toque directamente con los dedos ni lo arañe con instrumentos metálicos, ya que obstaculizará la salida de la vaporización. Cuando limpie esta zona, utilice un cepillo de limpieza pequeño, un bastoncillo de algodón o un cepillo de dientes. No utilice agua caliente; podría dañar las piezas del sistema de vaporización.
4. El aparato no debe ser utilizado por niños o personas con discapacidad física, sensorial o mental, salvo que estén bajo la supervisión de una persona responsable de su seguridad.
5. No deje que los niños se acerquen al aparato, a no ser que estén vigilados continuamente.
6. Por motivos de seguridad, coloque el aparato en una posición horizontal y estable. No lo mueva mientras esté en uso.
7. Para evitar interferencias y daños a otros dispositivos electrónicos, el aparato debe colocarse a una distancia mínima de 1 metro de otros aparatos, como ordenadores, televisores, radios u otros aparatos electrónicos.
8. No utilice el aparato si observa algún daño en el cable eléctrico o el propio aparato. En caso de daños, no repare el aparato por sus propios medios. No mueva el aparato tirando del cable. Si el cable de alimentación ha sufrido algún daño, para evitar descargas eléctricas o incendios debe ser sustituido por un técnico autorizado.
9. Las reparaciones solo pueden ser llevadas a cabo por personal técnico autorizado. Para evitar descargas eléctricas o incendios, no intente reparar el aparato por sus propios medios.
10. Cuando no vaya a utilizar el aparato o vaya a limpiar componentes internos o externos, desenchufe siempre el cable de alimentación.
11. Retire el depósito de agua antes de mover el aparato.
12. Utilice únicamente los cables de corriente suministrados.
13. No utilice el aparato en habitaciones donde se guarden líquidos o gases inflamables, cerca de fuentes de calor o en lugares especialmente húmedos, como cuartos de baño, duchas o piscinas.
14. No introduzca objetos en el aparato; podría provocar averías.
15. Nunca extraiga ni sustituya los componentes internos del aparato.
16. No coloque el aparato en lugares expuestos directamente a la luz del sol, para evitar que se decolore.
17. Nunca sumerja el aparato en agua o cualquier otro líquido.
18. No toque el cable de alimentación con las manos mojadas.
19. No se acerque demasiado al vapor caliente.
20. Limpie y seque el aparato antes de guardarlo (no deje agua en el interior). Guárdelo siempre en un lugar fresco y seco lejos del alcance de los niños.
21. No limpie el depósito de agua cuando esta esté caliente.
22. Utilice, mantenga y limpie el aparato siguiendo las instrucciones del manual.

Instrucciones de uso

Antes de empezar, saque el CA-607B de Clean Air Optima[®] de su caja y deje que se adapte a la temperatura ambiente durante al menos 30 minutos, especialmente si el aparato está frío por la temperatura exterior. Coloque el aparato sobre una superficie sólida, nivelada y no sensible al agua, a unos 60 cm del suelo y al menos a 20 cm de la pared.

El CA-607B está diseñado para funcionar a temperaturas de entre 5 y -40 °C, y a una humedad relativa inferior al 80 %.

Para empezar, coja el depósito de agua por el **asa** de la parte superior y levántelo de la base. A continuación, dele la vuelta al depósito, desatornillelo, extráigalo y quite la **tapa y el filtro**.

Asa



Tapa y filtro del depósito de agua



Grifo de llenado



A continuación, coloque el depósito de agua debajo del **grifo** de llenado, cogiéndolo del asa situada debajo del mismo. Llene el depósito con agua del grifo (o con agua limpia a una temperatura inferior a 40 °C), y vuelva a colocar la tapa y el filtro. Vuelva a darle la vuelta al depósito hasta que quede en el lado derecho, hacia arriba. Asegúrese de que la cuenca está limpia y, a continuación, vuelva a colocar cuidadosamente el depósito de agua en la parte inferior de la estructura.

Espere unos segundos hasta que la tapa del depósito empiece a llenar de agua la cuenca. Oirá un sonido de burbujas cuando el aire entre en el depósito. Enchufe el aparato a una toma de corriente adecuada; sonará una señal para indicar que el aparato está en modo de espera. Al encenderse o apagarse el humidificador, aparecerán los valores de temperatura (**margen de aproximadamente 2-5 grados de diferencia con respecto a la temperatura ambiente**) y la humedad.



Botón de encendido/apagado:

Pulse el **Botón de encendido** para poner en marcha el humidificador. El aparato empezará a funcionar en modo manual, y liberará vapor frío de forma constante con el nivel de intensidad medio.



Botón Manual:

El **Botón Manual** cambia el nivel de vaporización (bajo, medio, alto). Los niveles de vaporización son tres.



Sistema de seguridad para niños:

El sistema de seguridad para niños impide el uso no deseado del aparato.

El **sistema de seguridad para niños** se activa y desactiva pulsando el **Botón Manual** durante unos 3 segundos.

Si el sistema de seguridad para niños está activado, en la pantalla aparece un icono de un candado rojo.



Botón de Humedad:

Pulsando repetidamente el **Botón de Humedad**, se selecciona el nivel de humedad deseado (del 40 % al 80 % en incrementos del 5 %). Para dejar seleccionado el nivel de humedad, simplemente deje de pulsar el botón.

Cuando el nivel de humedad de la habitación alcance el nivel de humedad programado, el aparato pasa a un estado de reposo automático y deja de emitir vapor después de **1** minuto. Cuando el nivel de humedad real de la habitación desciende por debajo del nivel de humedad programado, el humidificador vuelve a emitir vapor.



Botón de Modo:

Pulsando el **Botón de Modo** una vez, se activa el modo de Reposo, con 2 pulsaciones se activa el modo Automático, con 3 pulsaciones se activa el modo Bebé y, con 4, el modo Salud. (Reposo-Automático-Bebé-Salud-Reposo.....).



Modo de Reposo:

Cuando se activa el modo de reposo, la pantalla se apaga después de 10 segundos. Solo quedará encendida la luz del modo de reposo.

Modo Automático:

Dependiendo de la temperatura, el humidificador adapta la humedad óptima

Temperatura del aire (grados centígrados)	% de humedad
19 o inferior	65
20-21	60
22-23	55
24-25	50
26-27	45
28-29	40

- El aparato determina la temperatura según la temperatura del entorno (con un margen de aproximadamente 2-5 grados de diferencia con respecto a la temperatura ambiente real).
- Los niveles óptimos de humedad con diferentes temperaturas se toman de la base de datos del aparato.
- El aparato funciona a máxima potencia hasta alcanzar la humedad óptima.
- Al alcanzar la humedad óptima, la humidificación se detendrá.
- El aparato comprueba la coincidencia entre el nivel de temperatura y el nivel de humedad cada 10 minutos.



Modo Bebé:

Al activarse el **Modo Bebé**, el aparato pone en marcha la función de vaporización caliente y luz ultravioleta, hasta alcanzar el 55 % de humedad a la máxima potencia. Al alcanzar el 55 % de humedad, la función de humidificación se detendrá. El aparato comprueba el nivel de humedad cada 10 minutos.



Modo Salud:

Al activarse el **Modo Salud**, el aparato pone en marcha la función de vaporización caliente y luz ultravioleta, y calcula la humedad óptima hasta alcanzarla a máxima potencia. La humedad óptima en el Modo Salud se calcula como en el Modo Automático, con la única diferencia de que el aparato añade un 5 % al resultado.

Ejemplo:

Humedad óptima en Modo Automático = 50 %, Humedad óptima en Modo Salud = 50 + 5 = 55 %

Una vez alcanzado el nivel óptimo de humedad, la función de humidificación se detiene. El aparato comprueba la coincidencia entre el nivel de temperatura y el nivel de humedad cada 15 minutos.



Botón de iones negativos:

El **Botón de iones negativos** activa el generador de iones negativos con una capacidad total de más de 3 000 000 iones negativos/cm³, que se extienden por toda la habitación y neutralizan los contaminantes y los olores. Los iones negativos se adhieren a las partículas de polvo, microorganismos y otras partículas perjudiciales del aire, y se conectan entre sí. De esta manera, las partículas se vuelven más pesadas que el aire y caen al suelo, de modo que ya no pueden inhalarse.

Los iones negativos se encuentran sobre todo en el bosque, en las montañas y en el mar. Estos iones aseguran un aire fresco y saludable.



Botón de temporizador:

Con el **Botón del temporizador** se ajusta el temporizador. Esta función determina el número de horas de funcionamiento del humidificador. Puede ajustar el temporizador simplemente pulsándolo una vez por cada hora que desee hacer funcionar el aparato. El temporizador puede ajustarse entre 1 y 12 horas. A medida que pasa el tiempo, las horas van disminuyendo hasta llegar a 00:00, momento en el que se apaga el aparato.




Botón de calentador:

El **Botón de calentador** activa la función de vaporización caliente, mostrándose en la pantalla LED con tres líneas verticales onduladas. El agua se calienta en la cuenca, mediante un elemento calentador PTC, a más de 65 grados, para eliminar las bacterias efectivas (legionela). El calentamiento del agua hace que la vaporización sea más fina, para una humidificación más rápida y eficiente.



Botón de luz ultravioleta:

Al pulsar el **Botón de luz UV** durante 3 segundos, el aparato pone en marcha la función de esterilización UV, que elimina las bacterias del aire de salida del vapor, antes de que este entre en la habitación. En la pantalla LED aparecerá el icono de luz UV . Para detener la función, pulse de nuevo el botón y manténgalo pulsado durante 3 segundos.

Apagado automático en caso de depósito de agua vacío



Si el depósito de agua está vacío, suena una señal acústica triple. El símbolo correspondiente se encenderá en la pantalla, y los indicadores restantes se apagarán. El aparato dejará de humidificar automáticamente. En este caso, apague el aparato con el botón de encendido/apagado y deje que se enfríe antes de volver a añadir agua al depósito.

Precaución: El aparato y el agua de la cámara de vaporización (cuenca) pueden estar muy calientes. ¡Tenga cuidado de no quemarse con el agua caliente al levantar el aparato o retirar el depósito!

El depósito de agua debe estar siempre completamente lleno.

Mando a distancia

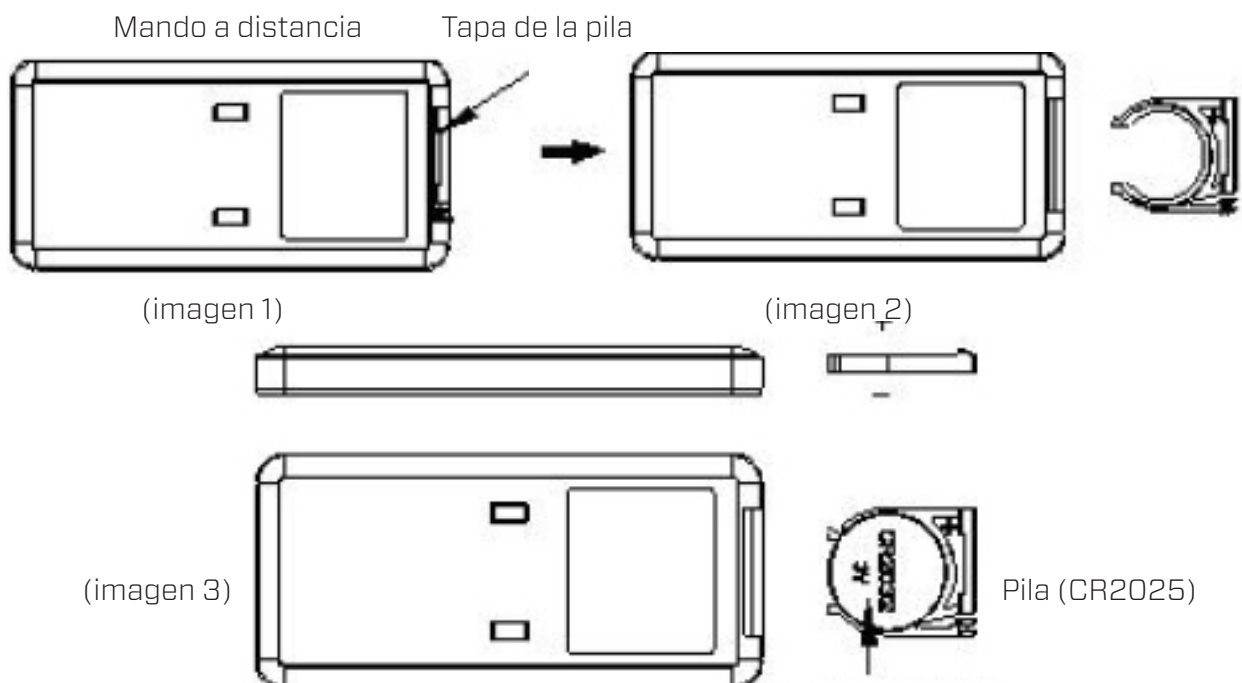
Botones del mando a distancia:

1. Modo de reposo
2. Modo automático
3. Modo bebé
4. Modo salud
5. Humedad deseada
6. Mín./Máx.
7. ENCENDIDO/APAGADO
8. Temporizador
9. Calentador
10. Luz UV
11. Iones negativos
12. Sistema de seguridad para niños



Sustitución de la pila del mando a distancia

1. Abra la tapa de la parte posterior del mando a distancia para colocar la pila (imagen 1).
2. Para colocar la pila, en la parte inferior del mando encontrará una "lengüeta de seguridad", que deberá desplazar hacia la derecha y a continuación sacar el soporte de la pila (imagen 2). Introduzca la pila con la polaridad en la posición correcta (imagen 3).
3. Vuelva a colocar la tapa del compartimento de la pila.



Preparación del filtro de agua W-01B Clean Air Optima[®]

El **filtro de agua W-01B** reduce la cal del agua y la difusión indeseable de partículas de cal por la habitación. El filtro es efectivo entre uno y tres meses, dependiendo de la dureza del agua. El agua dura del grifo acelera la saturación del granulado más rápidamente, por lo que el **filtro de agua W-01B** debe reemplazarse con mayor frecuencia.

1. Enjuague el **filtro de agua W-01B** durante 2 minutos bajo el agua fría del grifo.



2. Atornille el **filtro de agua W-01B** a la tapa del depósito de agua.

Determinación de la dureza del agua:

1. Introduzca la tira de pruebas en un vaso de agua fría del grifo durante 1 segundo.



2. Observe la dureza del agua en la tira de pruebas un minuto después.
3. Consulte la tabla para determinar la duración prevista del **filtro de agua W-01B**.

■ ■ ■ ■	= 3 meses
■ ■ ■ ■	= 3 meses
■ ■ ■ ■	= 2 meses
■ ■ ■ ■	= 2 meses
■ ■ ■ ■	= 1 mes


Tire el **filtro de agua W-01B** saturado en la basura doméstica normal.

No utilice el **filtro W-01B** durante más tiempo del especificado.

El **filtro de agua W-01B** puede adquirirse en nuestra tienda online, en www.cleanairoptima.com

Recolocación del filtro de agua W-01B Clean Air Optima[®]

El **Clean Air Optima CA-607B** está equipado con un mecanismo de supervisión de la duración del filtro que avisa cuando es necesario cambiar el filtro de agua después de 400 horas de utilización. Para avisar de que es necesario cambiar el **filtro de agua W-01B**, el humidificador

muestra un doble cero  en el indicador. Reinicie el temporizador del filtro de agua pulsando y manteniendo pulsado el botón de encendido/apagado durante unos 3 segundos. Si el temporizador se ha reiniciado correctamente, el indicador se apaga.

Colocación/Recolocación del Silver Ion SI-01 Clean Air Optima[®]

El **Silver Ion SI-01** utiliza el efecto antimicrobiano de la plata y previene la proliferación de bacterias y los olores en el agua. El **Silver Ion SI-01** funciona incluso con el humidificador apagado, por lo que el agua se mantiene limpia.

Sustituya el **Silver Ion SI-01** al comienzo de la temporada del humidificador o después de un año de uso.

Sustitución del Silver Ion SI-01:

1. Levante el depósito de agua de la base por el asa de la parte superior.



2. Saque el **Silver Ion SI-01** usado.



3. Introduzca el nuevo **Silver Ion SI-01**.

Tire el **Silver Ion SI-01** en la basura doméstica normal.

No utilice el **Silver Ion SI-01** durante más tiempo del especificado.

El **Silver Ion SI-01** puede adquirirse en nuestra tienda online, en www.cleanairoptima.com

Aromaterapia

Activación de la función de aromas:

- Retire la bandeja de aromas del soporte.
- Impregne la esponja con unas 5-10 gotas de aceite esencial Clean Air Optima[®].
- Vuelva a colocar la bandeja de aromas en el soporte.
- Al encender el humidificador de aire, se activa la función de aromas.
- Si desea desactivar la función de aromas, o si no va a utilizar el aparato durante un periodo de tiempo considerable, saque la esponja aromática del compartimento y lávela con un poco de agua y jabón suave. Deje que se seque completamente antes de volver a colocarla en el compartimento de aromas. En principio, la esponja aromática es reutilizable.



Importante

Para obtener los mejores resultados y disfrutar al máximo de su humidificador ultrasónico de aire, le aconsejamos que lea atentamente las siguientes instrucciones sobre el uso de los aceites esenciales en el humidificador CA-607B.

Uso de aceites esenciales en el CA-607B

¡Utilice nuestros aceites esenciales de alta calidad, disfrute de su propia aromaterapia y de una sensación aromática al máximo!

En nuestro surtido encontrará aceites esenciales de alta calidad con una gran variedad de aromas diferentes, perfectamente adaptados al humidificador ultrasónico CA-607B y especialmente elaborados para su uso con este aparato:



Nuestros **aceites esenciales** están disponibles en nuestra tienda online, en www.cleanairoptima.com

¡Atención!

El uso de otros aceites esenciales no elaborados para este humidificador de aire u otros aditivos (fragancias y productos de purificación de agua, etc.) puede dañar el humidificador. **¡NO los utilice! ¡Nunca utilice otros aceites esenciales puros u otros aditivos en el depósito de agua ni en la cuenca! Cualquier cantidad, por pequeña que sea, puede dañar el plástico y producir grietas.**

El material no está concebido para el uso de aditivos. Una simple gota es suficiente para dañar el depósito y la cuenca de agua e inutilizar el aparato. Los aparatos dañados por aditivos no están cubiertos por la garantía.

Limpeza y mantenimiento

Un sencillo procedimiento de mantenimiento garantizará muchos años de funcionamiento sin problemas a su **CA-607B Clean Air Optima[®]**. Si su agua es dura, contiene altas concentraciones de calcio y otros minerales, con el tiempo se irá depositando polvo blanco en las superficies de la habitación. Además, se creará una sustancia en la cuenca de agua, en el transductor y en la superficie interior del depósito de agua, una película blanca que afectará al funcionamiento del transductor y del aparato en sí.

Recomendaciones:

1. Si utiliza el aparato a diario, limpie el transductor, el depósito de agua y la cuenca una vez a la semana.
2. Cuando necesite rellenar el depósito de agua, vacíelo antes por completo y llénelo con agua limpia.
3. Limpie todo el aparato y asegúrese de que todos los componentes están completamente secos cuando no lo utilice.

Limpeza del transductor

1. Vierta unas gotas de vinagre (5-10) sobre la superficie del transductor y espere entre 2 y 5 minutos.
2. Con un cepillo pequeño, un bastoncillo de algodón o un cepillo de dientes, limpie suavemente la película mineral de la superficie del transductor.
3. Enjuague el transductor con agua limpia.
4. Nunca limpie el transductor con objetos afilados o duros.



Limpeza del depósito de agua

1. Limpie la cuenca de agua con un paño suave y húmedo. Si hay excesiva película en las superficies, moje el paño con vinagre y repita el proceso.
2. Si observa película en los surcos de la cuenca, vierta un poco de vinagre y límpielos con un cepillo.
3. Enjuague la cuenca con agua limpia.

Solución de problemas

A continuación encontrará una guía de posibles problemas y soluciones para ayudarle a resolver cualquier incidencia con su **humidificador ultrasónico CA-607B Clean Air Optima[®]**.

Problema	Causa posible	Solución
No hay vaporización.	El aparato no está enchufado. No se ha pulsado el botón de encendido/apagado. El depósito de agua está vacío. No hay suficiente agua en el depósito.	Enchufe el aparato. Apriete el botón. Llene el depósito de agua. Añada más agua al depósito.
El vapor tiene un olor extraño.	El aparato es nuevo. El depósito tiene agua sucia o el agua ha estado estancada durante demasiado tiempo.	Retire el depósito de agua, desenrosque la tapa y deje que se ventile en un lugar fresco durante 12 horas. Limpie el depósito y vuelva a llenarlo con agua limpia.
La vaporización es demasiado baja.	El depósito y el transductor contienen demasiada cal. El agua está demasiado sucia o se ha mantenido demasiado tiempo en el depósito.	Limpie el transductor. Limpie el depósito y vuelva a llenarlo con agua limpia.
Ruido en el aparato.	El depósito de agua no está bien colocado. No hay suficiente agua en el depósito. El aparato no está colocado en una superficie estable.	Coloque correctamente el depósito de agua en la base. Vuelva a llenar el depósito de agua. Coloque el aparato sobre una superficie sólida y estable.
El vapor sale por los lados de la boquilla.	Hay huecos entre la carcasa de los lados de la boquilla y la parte superior del depósito de agua.	Retire la boquilla de la parte superior del depósito, límpiela con un paño húmedo y, a continuación, vuelva a colocarla en el depósito.

Si su agua es muy dura (contiene niveles anormalmente altos de minerales) el humidificador puede generar polvo blanco. Esto no supone ningún defecto. La solución sería reemplazar el filtro de agua W-01B con mayor frecuencia o utilizar agua más blanda, agua destilada por ejemplo. Asimismo, le recomendamos los purificadores de aire Clean Air Optima; más información en nuestra tienda online www.cleanairoptima.com

¡ATENCIÓN!

Si las soluciones propuestas no resuelven el problema, póngase en contacto con el servicio técnico de Clean Air Optima llamando al número de teléfono de su región. No intente desmontar, volver a montar o reparar el aparato, ya que la garantía quedaría invalidada.

Especificaciones

Modelo	CA-607B
Para habitaciones de hasta	65 m ² / 160 m ³ / 699 pies ²
Tensión nominal	220 V - 240 V, 50/60 Hz
Potencia nominal	25 W - Máx. 105 W
Capacidad de humidificación del aire	Mín. 120 ml/h - Máx. 480 ml/h
Oxígeno activo	<0,05 ppm
Nivel de ruido	Ventilador silencioso <25 dB (A)
Dimensiones	230 x 150 x 370 mm
Peso	3,4 kg
Depósito de agua	5,5 L
Color	Negro con depósito de agua de cristal ahumado
Conformidad con reglamentación UE	CE / WEEE / RoHS

Infórmese en su establecimiento o en su municipio sobre cómo desechar este aparato y su embalaje.



Servicio

Certificado de garantía del humidificador ultrasónico CA-607B Clean Air Optima[®].

Fecha de compra:
Nombre del cliente:
Dirección:
Teléfono:
Correo electrónico:
Nombre del vendedor:
Dirección:

1. Rellene todos los campos de datos de este certificado de garantía. Envíelo a su distribuidor (junto con la factura y el aparato) con franqueo pagado y en el embalaje original. No olvide incluir el franqueo de retorno pertinente para el paquete.
2. Incluya una descripción breve de los daños, la anomalía o el fallo en cuestión, así como las circunstancias en las que se produjeron estos problemas.

El **humidificador ultrasónico CA-607B de Clean Air Optima[®]** se somete a rigurosos procedimientos de prueba antes de salir de fábrica. Si dentro del plazo de dos años desde la fecha de compra, el producto no funciona conforme a las especificaciones, por defectos de fábrica, el comprador tiene derecho a una reparación gratuita o a la sustitución de las piezas con la presentación de esta garantía (siempre que el defecto de funcionamiento o los daños del aparato o sus piezas se hayan producido haciendo un uso normal del mismo). Cobertura de la garantía: todas las piezas con defectos de materiales o mano de obra. Duración: dos años a partir de la fecha de compra. Nuestra tarea: reparar o sustituir las piezas defectuosas.

Otras condiciones

Las disposiciones de esta garantía sustituyen a cualquier otra garantía escrita, ya sea explícita o implícita, por escrito u oral, incluida cualquier garantía de comerciabilidad o idoneidad para un propósito concreto. El importe máximo en concepto de responsabilidad del fabricante no será en ningún caso superior al importe pagado por el producto. En ningún caso el fabricante podrá hacerse responsable de daños especiales, incidentales, resultantes o indirectos. Esta garantía no cubre los defectos resultantes del uso o mantenimiento incorrecto o poco razonable, montaje defectuoso, accidente, catástrofes naturales, embalaje incorrecto o manipulación, alteración o modificación no autorizada, según nuestro criterio exclusivo. Esta garantía quedará anulada si se despega o altera la etiqueta del número de serie.

¡Nunca utilice otros aceites esenciales puros u otros aditivos en el depósito de agua ni en la cuenca! Cualquier cantidad, por pequeña que sea, puede dañar el plástico y causar grietas.

¡Gracias por su atención!



Comparta su opinión sobre el humidificador ultrasónico CA-607B de Clean Air Optima® en www.cleanoptima.com.



Consulte las preguntas frecuentes sobre el CA-607B en www.cleanairoptima.com (busque CA-607B).



Descargue el manual de instrucciones en PDF en www.cleanairoptima.com/info/manuals



Puede ver todos los videos de los productos Clean Air Optima® en www.youtube.com.

Clean Air Optima International B.V. | David Ricardostraat 9-7 / 9-9 | 7559 SH Hengelo (ov)
Países Bajos | Teléfono: +31 (0) 74 - 2670145

Clean Air Optima Germany GmbH | Enschedestraße 14 | 48529 Nordhorn | Alemania
Teléfono: +49 (0) 5921 879-121

E-mail: info@cleanairoptima.com

Internet: www.cleanairoptima.com

Română

Vă mulțumim pentru că ați achiziționat umidificatorul cu ultrasunete Clean Air Optima[®] CA-607B.

Vă dorim să vă bucurați de mulți ani de aer interior sănătos cu acest produs eficient și eficace.

Aceste instrucțiuni descriu măsurile de precauție care trebuie respectate pe durata funcționării. Acestea sunt menite să prevină răniile și să evite deteriorarea dispozitivului.

Descrierea dispozitivului

Dispozitivul constă din următoarele componente principale:

1. Duză de pulverizare
2. Mâner
3. Rezervor de apă
4. Plutitor
5. Cutie pentru aromaterapie
6. Cablu de alimentare
7. Element de încălzire PTC
8. Capac și filtru rezervor de apă

Avertismente privind siguranța

Acest dispozitiv poate fi utilizat numai în conformitate cu aceste instrucțiuni de siguranță. Efectuați pașii următori pentru a reduce riscul de vătămare corporală provocată, de exemplu, de șocuri electrice sau incendiu.

1. Numai pentru utilizare în interior. Nu-l utilizați sau depozitați în exterior.
2. Utilizați tensiunea corespunzătoare: c.a. 220 V - 240 V, 50/60 Hz
3. Traductorul intern ultrasonic este extrem de sensibil. Nu-l atingeți cu degetele goale și nu-l răzuți cu unelte metalice, în caz contrar producția de ceață se va diminua. Când curățați această zonă, folosiți o perie de curățat mică, un tampon de bumbac sau o periuță de dinți. Nu utilizați apă fierbinte, deoarece aceasta poate deteriora piesele implicate în procesul de pulverizare.
4. Dispozitivul nu este destinat utilizării de către copii sau persoane cu capacități fizice, senzoriale sau mentale reduse, decât dacă acestea sunt supravegheate de o persoană responsabilă pentru siguranța acestora.
5. Copiii nu trebuie lăsați să se apropie de dispozitiv decât sub supraveghere continuă.
6. Pentru a utiliza dispozitivul în siguranță, așezați-l într-o poziție orizontală stabilă. Nu mișcați dispozitivul în timpul utilizării.
7. Pentru a evita interferențele și deteriorarea altor dispozitive electronice, acest aparat trebuie amplasat la o distanță de cel puțin 1 metru de calculatoare, televizoare, radiouri sau alte echipamente electronice.
8. Nu utilizați dispozitivul atunci când există deteriorări vizibile ale cablului electric sau ale dispozitivului. Nu reparați dvs. înșivă dispozitivul în caz de deteriorare. Nu manevrați dispozitivul trăgându-l de cablu. În cazul în care cablul de alimentare este deteriorat, acesta trebuie înlocuit de către o persoană autorizată pentru efectuarea reparațiilor, pentru a preveni un șoc electric sau incendiu.
9. Reparațiile pot fi efectuate numai de către personalul autorizat. Nu încercați să reparați dvs. înșivă dispozitivul, pentru a preveni electrocutarea sau incendiul.
10. Scoateți întotdeauna fișa din priză atunci când dispozitivul nu este utilizat sau când curățați părțile interne sau externe ale acestuia.
11. Scoateți rezervorul de apă înainte de a muta dispozitivul.
12. Utilizați numai cablurile furnizate.
13. Nu utilizați dispozitivul în încăperi în care sunt depozitate lichide sau gaze inflamabile sau în apropierea surselor de căldură sau în încăperi deosebit de umede, cum ar fi în baie, în cabina de duș sau la piscină.
14. Pentru a preveni defectiunile, nu introduceți niciodată obiecte străine în dispozitiv.
15. Nu demontați și nici nu înlocuiți componentele interioare ale dispozitivului.
16. Nu așezați dispozitivul în lumina directă a soarelui, pentru că acesta se poate decolora.
17. Nu scufundați niciodată aparatul în apă sau alte lichide.
18. Nu atingeți cablul de alimentare cu mâinile ude.
19. Nu atingeți de aproape ceața caldă.
20. Curățați și uscați dispozitivul înainte de depozitare (eliminați inclusiv toată apa din interiorul dispozitivului). Depozitați aparatul într-un loc răcoros și uscat, departe de îndemâna copiilor.
21. Nu curățați cuva cu apă atunci când apa este încă fierbinte.
22. Utilizați, întrețineți și curățați dispozitivul conform descrierii din acest manual.

Instrucțiuni de utilizare

Înainte de a începe, scoateți dispozitivul Clean Air Optima[®] CA-607B din cutie și lăsați-l să se obișnuiască cu temperatura camerei timp de cel puțin 30 de minute, mai ales dacă aparatul este rece. Așezați dispozitivul pe o suprafață solidă, netedă și rezistentă la apă, la aprox. 60 cm de podea și la cel puțin 20 cm de perete.

Dispozitivul CA-607B este proiectat să funcționeze la temperaturi cuprinse între 5 -40 °C și umiditate relativă mai mică de 80 %.

Pentru a începe, apăsați rezervorul de apă de mânerul din partea de sus și ridicați de la bază. În continuare, întoarceți rezervorul pe partea cealaltă, deșurubați și scoateți capacul și filtrul rezervorului de apă.

Mâner



Capac și filtru rezervor de apă



Robinet pentru umplere



Apoi puneți rezervorul de apă sub robinet pentru umplere, apucându-l de mânerul de sub rezervorul de apă. Umpleți rezervorul cu apă de la robinet (sau altă sursă de apă curată cu temperatura apei sub 40 °C), puneți la loc capacul și filtrul. Întoarceți încă o dată rezervorul de apă pe partea cealaltă până când acesta este pe partea corectă. Asigurați-vă că bazinul este curat și apoi așezați cu atenție rezervorul de apă pe corpul inferior.

Așteptați câteva secunde până când capacul rezervorului de apă începe să elibereze apă în bazin. Veți auzi o bolboroseală în timp ce aerul intră în rezervorul de apă. Conectați fișa de alimentare la o priză adecvată, sunetul emis indică faptul că dispozitivul dvs. este în modul de așteptare. Dacă umidificatorul este pornit/oprit, valorile pentru temperatură (*cu o marjă de aproximativ 2-5 grade față de temperatura camerei*) și umiditate vor fi afișate în acest moment.



Buton de pornire:

Apăsați **butonul de pornire** pentru a activa umidificatorul. Aparatul funcționează acum în modul manual. Acesta va elibera ceață rece în mod constant, nivelul mediu de intensitate fiind setat în mod automat.



Buton manual:

Butonul manual schimbă nivelul de ceață (scăzut, mediu, mare). Există 3 niveluri de debit de ceață disponibile.



Blocare pentru copii:

Blocarea pentru copii protejează împotriva utilizării nedorite a dispozitivului.

Blocarea pentru copii este activată/dezactivată prin apăsarea **butonului manual** timp de 3 secunde.

Dacă blocarea pentru copii este activată, pe ecran apare o pictogramă  de blocare roșie.



Buton pentru selectarea nivelului de umiditate:

Prin apăsarea **butonului pentru selectarea nivelului de umiditate**, puteți selecta nivelul

de umiditate dorit apăsând acest buton în mod repetat până când este afișat nivelul dorit

de umiditate (de la 40 % la 80% în trepte de câte 5 %). După ce selectați nivelul dorit

de umiditate, pur și simplu nu mai apăsați butonul și nivelul de umiditate va fi setat.

Când nivelul de umiditate din cameră atinge nivelul de umiditate setat, aparatul va intra în stare

de repaus automat și nu va mai produce ceață după 1 minut. Când nivelul real de umiditate din

cameră scade sub nivelul de umiditate setat, aparatul va începe să producă din nou ceață.



Buton pentru selectarea modului:

Prin apăsarea **butonului pentru selectarea modului** o singură dată, aceasta va activa modul

Sleep (Repaus), apăsați de 2 ori pentru Auto (Automat), apăsați de 3 ori pentru Baby (Bebeluș),

apăsați de 4 ori pentru Health (Sănătate).

(Sleep-Auto-Baby-Health-Sleep.....).



Mod Sleep:

Când modul Sleep este activat, afișajul se va închide în 10 secunde. Numai lumina pentru modul Sleep rămâne aprinsă.



Mod Auto:

În funcție de temperatură, umidificatorul setează umiditatea optimă

Temperatura aerului, grade Celsius	Umiditate %
19 și mai mică	65
20-21	60
22-23	55
24-25	50
26-27	45
28-29	40

- Aparatul determină temperatura din jurul dispozitivului (cu o marjă de aproximativ 2-5 grade diferență față de temperatura reală din cameră).
- Nivelurile optime de umiditate în funcție de temperaturi diferite sunt preluate din baza de date a dispozitivului.
- Aparatul funcționează la putere maximă până la atingerea umidității optime.
- Dacă se obține umiditatea optimă, atunci procesul de umidificare va înceta.
- Dispozitivul verifică concordanța dintre temperatură și nivelul de umiditate la fiecare 10 minute.



Mod Baby:

Când modul Baby este activat, dispozitivul pornește funcția de ceață caldă și lumină UV pentru a ajunge la o umiditate de 55 % la puterea maximă. Dacă se obține umiditate de 55 %, atunci procesul de umidificare va înceta. Aparatul verifică nivelul de umiditate la fiecare 10 minute.



Mod Health:

Când modul Health este activat, dispozitivul pornește funcția de ceață caldă și lumină UV, acesta va calcula umiditatea optimă și va începe să producă ceață la putere maximă. Umiditatea optimă în modul Health este calculată ca în modul Auto, singura diferență este că dispozitivul adaugă 5 % la rezultat.

Exemplu:

Umiditatea optimă în modul Auto = 50 %, umiditatea optimă în modul Health = 50 + 5 = 55 %

Când este atins nivelul optim de umiditate, procesul de umidificare va înceta. Dispozitivul verifică concordanța dintre temperatură și nivelul de umiditate la fiecare 15 minute.



Buton pentru ioni negativi:

Prin apăsarea **butonului pentru ioni negativi** se va activa generatorul de ioni negativi cu o capacitate totală de > 3.000.000 de ioni negativi/cm³ care sunt răspândiți în întreaga cameră, neutralizând astfel poluanții și mirosurile. Ionii negativi se atașează de particulele de praf, microorganisme și alte particule nedorite din aer și le leagă între ele. În acest fel, particulele devin mai grele decât aerul și cad pe sol, astfel încât nu mai pot fi inspirate.

Ionii negativi se găsesc cel mai mult în păduri, munți și la mare. Ionii negativi asigură un aer proaspăt și sănătos.



Buton pentru temporizator:

Prin apăsarea **butonului pentru temporizator** se poate seta temporizatorul. Funcția de temporizare stabilește câte ore va funcționa umidificatorul. Puteți seta temporizatorul apăsându-l câte o dată pentru fiecare oră cât doriți să funcționeze dispozitivul. Temporizatorul poate fi setat între 1 oră și 12 ore. Pe măsură ce trece timpul, valoarea de timp scade până la 00:00 și dispozitivul se oprește.




Buton de încălzire:


Prin apăsarea **butonului de încălzire** se activează funcția de ceață caldă, aceasta fiind indicată de trei linii verticale ondulate pe afișajul LED. În bazin, apa este încălzită de un element de încălzire PTC la peste 65 de grade pentru o distrugere eficientă a bacteriilor (Legionella). Încălzirea apei determină producerea unor particule mult mai mici de ceață pentru o umidificare mai rapidă și mai eficientă.



Buton de lumină UV:

Țineți apăsat **butonul de lumină UV** timp de 3 secunde, dispozitivul pornește funcția de sterilizare UV, care distruge bacteriile din fluxul de aer utilizat pentru producerea ceții, înainte ca ceața să fie răspândită în cameră. Pictograma pentru lumina UV  apare pe afișajul LED. Apăsați butonul din nou și țineți-l apăsat timp de 3 secunde pentru a opri funcția de lumină UV.

Oprire automată atunci când rezervorul de apă este gol

Dacă rezervorul de apă este gol, un semnal acustic va suna de trei ori. Simbolul  corespunzător se aprinde pe afișaj în timp ce celelalte indicatoare se sting. Dispozitivul va opri automat umidificarea. În acest caz, opriți dispozitivul de la butonul de PORNIRE/OPRIRE. Lăsați dispozitivul să se răcească înainte de a turna apă în rezervor.

Atenție: Dispozitivul și apa din camera de nebulizare (bazin) ar putea fi foarte fierbinți. În cazul în care ridicați dispozitivul sau scoateți rezervorul de apă imediat după utilizare, riscați să vă opăriți cu apă fierbinte!

Asigurați-vă că rezervorul de apă este întotdeauna complet reumplut.

Telecomandă

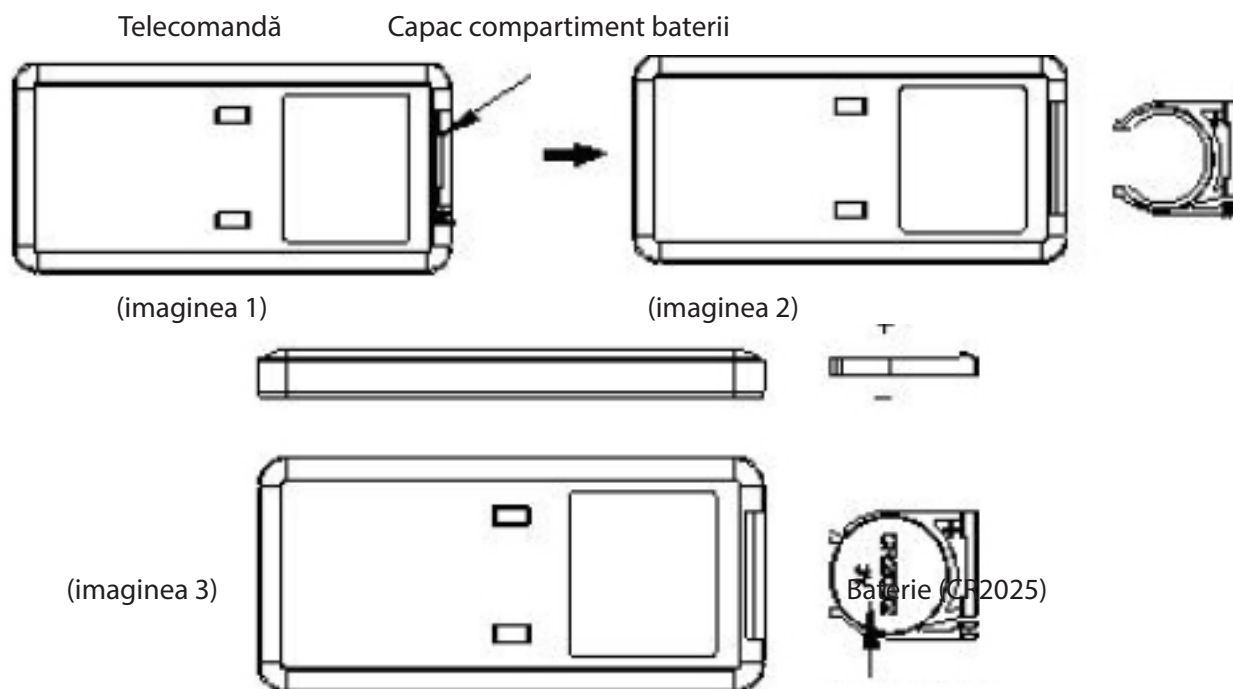
Butoanele de pe telecomandă:

1. Mod Sleep
2. Mod Auto
3. Mod Baby
4. Mod Health
5. Umiditatea dorită
6. Min./Max.
7. PORNIRE/OPRIRE
8. Temporizator
9. Încălzire
10. Lumină UV
11. Ioni negativi
12. Blocare pentru copii



Schimbarea bateriilor de la telecomandă

1. Deschideți capacul compartimentului pentru baterii din partea din spate a telecomenzii pentru a introduce bateria. (a se vedea imaginea 1).
2. Pentru a introduce bateria: în partea de jos a telecomenzii există o „clapă de securitate” pe care trebuie să o glisați mai întâi spre dreapta, apoi să scoateți suportul bateriei. (a se vedea imaginea 2). Introduceți bateria cu polaritatea corectă. (a se vedea imaginea 3).
3. Puneți capacul compartimentului pentru baterii înapoi în telecomandă.



Pregătirea filtrului de apă W-01B Clean Air Optima®

Filtrul de apă W-01B reduce calcarul din apă și emisia nedorită de particulele de calcar în cameră. Este eficient timp de una până la trei luni, în funcție de duritatea apei. Apa dură de la robinet accelerează saturația granulelor, astfel încât filtrul de apă W-01B trebuie înlocuit după un timp mai scurt.

1. Clătiți filtrul de apă W-01B timp de 2 minute sub apă rece de la robinet.



2. Înșurubați filtrul de apă W-01B pe capacul rezervorului de apă.

Determinarea durității apei:

1. Introduceți banda de test furnizată într-un pahar cu apă rece de la robinet timp de 1 secundă.



2. Citiți banda de testare a durității apei după un minut.
3. Consultați tabelul pentru a determina durata preconizată a filtrului de apă W-01B.

■ ■ ■ ■	=3 luni
■ ■ ■ ■	=3 luni
■ ■ ■ ■	=2 luni
■ ■ ■ ■	=2 luni
■ ■ ■ ■	=1 luni

Eliminați filtrul de apă W-01B saturat odată cu deșeurile menajere obișnuite.

Filtrul de apă W-01B nu trebuie utilizat pentru o perioadă mai mare decât cea specificată. Puteți comanda filtrul de apă W-01B în magazinul nostru online, accesând www.cleanairoptima.com

Înlocuirea filtrului de apă W-01B Clean Air Optima[®]

Aparatul Clean Air Optima CA-607B este echipat cu un mecanism de supraveghere a duratei de funcționare a filtrului care semnalează că filtrul de apă trebuie înlocuit după 400 de ore de funcționare. Pentru a arăta că filtrul de apă W-01B trebuie înlocuit, umidificatorul emite

un indicator luminos dublu zero.



Resetați temporizatorul pentru filtrul de apă, apăsând lung butonul de alimentare timp de aproximativ trei secunde. Dacă indicatorul luminos se stinge, temporizatorul a fost resetat cu succes.

Introducerea/Înlocuirea cartușului Silver Ion SI-01 Clean Air Optima[®]

Cartușul Silver Ion SI-01 utilizează efectul anti-microbian al argintului, împiedică dezvoltarea bacteriilor și a mirosurilor în apă. Cartușul Silver Ion SI-01 funcționează chiar și atunci când umidificatorul dvs. este oprit, astfel încât apa să rămână proaspătă.

Înlocuiți cartușul Silver Ion SI-01 la începutul sesiunii de umidificare sau înlocuiți cartușul Silver Ion SI-01 după un an de utilizare.

Înlocuirea cartușului Silver Ion SI-01:

1. Apucați rezervorul de apă de mânerul din partea de sus și ridicați de la bază.



2. Scoateți cartușul Silver Ion SI-01 uzat.



3. Introduceți noul cartuș Silver Ion SI-01.

Eliminați cartușul Silver Ion SI-01 odată cu deșeurile menajere obișnuite.

Cartușul Silver Ion SI-01 nu trebuie utilizat mai mult decât este specificat. Puteți comanda cartușul Silver Ion SI-01 în magazinul nostru online accesând www.cleanairoptima.com

Aromaterapie

Activarea funcției de aromaterapie:

- Scoateți tava pentru aromaterapie din suport.
- Turnați 5 - 10 picături de ulei esențial Clean Air Optima[®] pe burete.
- Introduceți tava pentru aromaterapie înapoi în suport.
- Când porniți umidificatorul de aer, se va activa funcția de aromaterapie.
- Dacă doriți să dezactivați funcția de aromaterapie sau dacă dispozitivul nu ar trebui să fie utilizat pentru perioade îndelungate de timp, scoateți buretele pentru aromaterapie din compartiment și spălați-l cu puțină apă și săpun blând. Lăsați-l să se usuce complet înainte de a-l pune la loc în compartimentul pentru aromaterapie. Practic, buretele pentru aromaterapie este reutilizabil.



Important

Pentru a obține cele mai bune rezultate și pentru a vă bucura cât mai mult de umidificatorul cu aer cu ultrasunete, vă recomandăm să citiți cu atenție următoarele instrucțiuni privind utilizarea uleiurilor esențiale în umidificatorul cu aer cu ultrasunete CA-607B.

Utilizarea uleiurilor esențiale în dispozitivul CA-607B

Utilizați uleiurile noastre esențiale de înaltă calitate și bucurați-vă de aromaterapie la dvs. acasă!

O experiență de arome senzațională!

Oferim o mare varietate de uleiuri esențiale de înaltă calitate, cu multe parfumuri diferite. Acestea se potrivesc perfect pentru umidificatorul de aer CA-607B și au fost special concepute pentru utilizarea cu acest umidificator cu ultrasunete:



Puteți comanda uleiurile esențiale în magazinul nostru online, accesând www.cleanairoptima.com

Avertisment!

Utilizarea altor uleiuri esențiale care nu sunt făcute pentru acest umidificator de aer sau a altor aditivi (de exemplu: parfumuri și produse de purificare a apei) poate deteriora umidificatorul de aer și **NU** este permisă! **Nu puneți niciodată alte uleiuri esențiale pure sau alți aditivi în rezervorul de apă resp. bazinul de apă! Chiar și o cantitate mică poate deteriora plasticul și poate cauza fisuri.**

Materialul nu este conceput pentru utilizarea aditivilor. O picătură este suficientă pentru a deteriora rezervorul de apă/bazinul de apă și a dezactiva dispozitivul. Dispozitivele care sunt deteriorate ca urmare a utilizării aditivilor sunt excluse din garanție.

Curățare și întreținere

Puteți asigura funcționarea fără probleme timp de mulți ani a umidificatorului Clean Air Optima[®] CA-607B urmând câteva proceduri simple de întreținere. Dacă apa pe care o utilizați este dură și conține concentrații mari de calciu și alte minerale, după o perioadă de timp, un praf alb va începe să se depună pe diferitele suprafețe din cameră. De asemenea, o substanță albă, ca o peliculă, va apărea în bazinul de apă, pe traductor și pe suprafața interioară a rezervorului de apă. Această peliculă albă va împiedica funcționarea corectă a traductorului și utilizarea corespunzătoare a aparatului.

Vă recomandăm următoarele

1. Dacă utilizați aparatul zilnic, curățați traductorul, rezervorul de apă și bazinul o dată pe săptămână.
2. Când rezervorul de apă trebuie reumplut, goliți restul de apă din rezervor și umpleți-l cu apă proaspătă.
3. Curățați întregul dispozitiv și asigurați-vă că toate piesele sunt complet uscate atunci când dispozitivul nu este utilizat.

Curățarea traductorului

1. Puneți 5-10 picături de oțet pe suprafața traductorului și așteptați 2-5 minute.
2. Utilizând o perie mică, un tampon de bumbac sau o periuță de dinți, curățați ușor pelicula minerală de suprafața traductorului.
3. Clătiți traductorul cu apă curată.
4. Nu utilizați niciodată obiecte ascuțite sau dure pentru curățarea traductorului



Curățarea bazinului de apă

1. Curățați bazinul de apă cu o cârpă moale și umedă. Dacă pelicula de pe suprafețe are un strat prea gros, înmuiați cârpa în oțet și repetați procesul.
2. Dacă în oricare dintre adânciturile de-a lungul bazinului s-a depus o astfel de peliculă, picurați un pic de oțet în adâncitură și curățați cu o perie.
3. Clătiți bazinul cu apă curată.

Depanare

Urmează un ghid de depanare care vă poate ajuta să rezolvați problemele pe care le-ați putea avea atunci când utilizați umidificatorul cu ultrasunete Clean Air Optima[®] CA-607B.

Problemă	Cauză posibilă	Soluție
Nu are loc dispersarea ceții.	Fișa de alimentare nu este conectată. Butonul PORNIRE/OPRIRE nu este activat. Rezervor de apă gol. Nu există suficientă apă în rezervor.	Conectați dispozitivul. Apăsați butonul de PORNIRE/OPRIRE. Umpleți rezervorul cu apă. Reumpleți rezervorul cu apă.
Ceața are un miros ciudat.	Un dispozitiv nou. Acesta fie conține apă murdară, fie apa nu a mai fost schimbată de prea mult timp.	Scoateți rezervorul de apă, deșurubați capacul și lăsați-l la aerisit într-o zonă răcoroasă timp de 12 ore. Curățați rezervorul de apă și reumpleți cu apă curată.
Volumul de ceață pulverizat este prea mic.	Prea multe depuneri de minerale în bazinul de apă și pe traductor. Apa este prea murdară sau apa a rămas prea mult timp în rezervor.	Curățați traductorul. Curățați rezervorul de apă și reumpleți cu apă curată.
Dispozitivul este zgomotos.	Rezervorul de apă nu este poziționat corect. Nu există suficientă apă în rezervorul de apă. Dispozitivul se află pe o suprafață instabilă.	Poziționați corect rezervorul de apă pe bază. Reumpleți cu apă rezervorul de apă. Așezați dispozitivul pe o suprafață solidă și netedă.
Ceața pulverizată iese din zona din jurul duzei de pulverizare.	Există goluri între carcasa din jurul duzei și partea superioară a rezervorului de apă.	Scoateți duza din partea de sus a rezervorului de apă și curățați-o cu o cârpă umedă. Montați la loc rezervorul de apă.

Dacă apa pe care o utilizați este foarte dură (conține niveluri anormal de mari de minerale), umidificatorul poate răspândi un praf alb. Aceasta nu este o defecțiune. Soluția ar fi înlocuirea mai frecventă a filtrului de apă W-01B sau utilizarea unei apei mai puțin dure, cum ar fi apa distilată. Sau vă recomandăm aparatele de purificare a aerului Clean Air Optima, pentru mai multe informații, vizitați magazinul nostru online www.cleanairoptima.com

AVERTISMENT!

Dacă soluțiile recomandate mai sus nu funcționează, contactați asistența tehnică Clean Air Optima la numărul de telefon corespunzător regiunii dvs. Nu încercați să dezamblați, să reasamblați sau să reparați dispozitivul, deoarece acest lucru poate anula garanția.

Specificații

Model	CA-607B
Pentru încăperi de până la	65 m ² /160 m ³ /699 ft ²
Tensiune nominală	220 V - 240 V, 50/60 Hz
Putere nominală	25 W - Max. 105 W
Capacitate de umidificare a aerului	Min. 120 ml/h - Max. 480 ml/h
Oxigen activ	< 0,05 ppm
Nivelul sonor	Ventilator silențios < 25 dB(A)
Dimensiuni	230 x 150 x 370 mm
Greutate	3,4 kg
Rezervor de apă	5,5 L
Culoare	Negru cu rezervor de apă din sticlă fumurie

Respectă reglementările UE CE/DEEE/RoHS

Adresați-vă comercianților cu amănuntul sau municipalității dvs. pentru informații actualizate privind eliminarea ambalajului și a dispozitivului.



Service

Certificat de garanție pentru umidificatorul cu ultrasunete Clean Air Optima® CA-607B.

Data achiziției:
Nume client:
Adresă:
Telefon:
E-mail:
Nume vânzător:
Adresă:

1. Completați acest certificat de garanție. Trimiteți-l distribuitorului împreună cu factura și dispozitivul, cu taxe poștale pre-plătite și folosind ambalajul original. Asigurați-vă că includeți taxele poștale pentru retur.
2. Vă rugăm să anexați o scurtă descriere a daunelor sau defecțiunilor și circumstanțele în care au apărut aceste probleme.

Umidificatorul cu ultrasunete Clean Air Optima® CA-607B Weste supus unor proceduri stricte de testare înainte de a părăsi fabrica. Dacă în termen de doi ani de la data achiziționării, produsul nu funcționează în conformitate cu specificațiile din cauza defectelor din fabrică, cumpărătorul are dreptul la reparații gratuite sau la înlocuirea pieselor la prezentarea acestei garanții (cu condiția ca defecțiunea sau deteriorarea dispozitivului și/sau a unor piese să fi apărut în condiții normale de funcționare). Ce este acoperit de garanție: Toate piesele defecte ca material sau manoperă. Pentru cât timp: doi ani de la data cumpărării. Ce vom face: Reparăm sau înlocuim orice piesă defectă.

Alte condiții

Prevederile prezentei garanții înlocuiesc orice altă garanție scrisă, expresă sau implicită, scrisă sau orală, inclusiv orice garanție de vandabilitate sau adecvare pentru un anumit scop. Răspunderea maximă a producătorului nu trebuie să depășească prețul real de cumpărare plătit de dvs. pentru produs. În nici un caz producătorul nu va fi responsabil pentru daune speciale, întâmplătoare, subsecvente sau indirecte. Această garanție nu acoperă un defect care a rezultat din utilizarea sau întreținerea necorespunzătoare sau nerezonabilă, asamblarea defectuoasă, accidente, catastrofe naturale, împachetare necorespunzătoare, manipulare, alterare sau modificare neautorizată determinată de noi în mod unic. Această garanție este nulă dacă eticheta care poartă numărul de serie a fost scoasă sau a devenit ilizibilă.

Nu puneți niciodată alte uleiuri esențiale pure sau alți aditivi în rezervorul de apă resp. bazinul de apă! Chiar și o cantitate mică poate deteriora plasticul și poate cauza fisuri.

Vă mulțumim că ați citit!



Trimiteți feedback despre umidificatorul cu ultrasunete
Clean Air Optima® CA-607B la:
www.cleanairoptima.com



Pentru întrebări frecvente despre CA-607B accesați:
www.cleanairoptima.com și căutați CA-607B.



Descărcați manualul de instrucțiuni în format PDF de pe:
www.cleanairoptima.com/info/manuals



Urmăriți toate clipurile video de animație
Clean Air Optima® pe:
www.youtube.com

Clean Air Optima International B.V. | David Ricardostraat 9-7/9-9 | 7559 SH Hengelo (ov)
Țările de Jos | Telefon: +31 (0) 74 - 2670145

Clean Air Optima Germany GmbH | Enschedestraße 14 | 48529 Nordhorn | Germania
Telefon: +49 (0) 5921 879-121

E-mail: info@cleanairoptima.com

Internet: www.cleanairoptima.com

Čeština

Děkujeme Vám, že jste zakoupili ultrazvukový zvlhčovač vzduchu Clean Air Optima® CA-607B.

Přejeme Vám, aby Vám tento účinný a efektivní výrobek po mnoho let sloužil jako zdroj zdravého vzduchu uvnitř budov.

Tento návod popisuje bezpečnostní opatření, která je třeba při provozu tohoto zařízení dodržovat. Jejich cílem je prevence úrazů a poškození zařízení.

Popis zařízení

Zařízení sestává z následujících hlavních součástí:

1. Mlhová tryska
2. Úchyt
3. Nádržka na vodu
4. Plovák
5. Zásobník na aroma
6. Napájecí kabel
7. Topné těleso PTC
8. Víko nádržky na vodu a filtr

Bezpečnostní upozornění

Toto zařízení lze používat pouze v souladu s těmito pokyny pro bezpečné používání. Provedte následující kroky za účelem minimalizace rizika úrazu například elektrickým proudem nebo v důsledku požáru.

1. Pouze pro použití ve vnitřních prostorách. Nepoužívejte ani neskladujte venku.
2. Používejte správné napětí: AC 220 V – 240 V / 50/60 Hz
3. Vnitřní ultrazvukový měnič je vysoce citlivý. Nedotýkejte se jej holýma rukama a zamezte poškrábání kovovými předměty; v opačném případě by se mohla tvorba mlhy snížit. Při čištění této oblasti používejte nejlépe malý kartáč, vatovou tyčinku nebo zubní kartáček. Nepoužívejte horkou vodu – mohla by totiž poškodit části pro tvorbu mlhy.
4. Zařízení není určeno k tomu, aby bylo používáno dětmi nebo osobami se sníženými fyzickými, smyslovými či duševními schopnostmi bez dohledu osoby odpovědné za jejich bezpečnost.
5. Pokud nejsou děti nepřetržitě pod dozorem, nesmí se v blízkosti zařízení pohybovat.
6. Za účelem bezpečného používání umístěte zařízení do stabilní vodorovné polohy. Při provozu se zařízením nepohybujte.
7. Aby nedocházelo k rušení dalších elektronických zařízení nebo k jejich poškození, mělo by být toto zařízení umístěno alespoň 1 metr od počítače, televize, rádia nebo jiného elektronického zařízení.
8. Nepoužívejte toto zařízení, je-li napájecí kabel nebo zařízení samotné viditelně poškozeno. Je-li zařízení poškozené, neopravujte je sami. Nikdy netahejte zařízení za napájecí kabel. Dojde-li k poškození napájecího kabelu, musí být vyměněn kvalifikovaným servisním technikem, aby nedošlo k úrazu elektrickým proudem nebo k požáru.
9. Opravy mohou provádět pouze kvalifikovaní servisní technici. Nepokoušejte se opravovat zařízení sami, aby nedošlo k úrazu elektrickým proudem nebo k požáru.
10. Když zařízení nepoužíváte nebo chcete vyčistit vnitřní nebo vnější části, vždy vytáhněte napájecí kabel ze sítě.
11. Pokud chcete zařízení přesunout, vždy nejprve vyjměte nádržku na vodu.
12. Používejte pouze síťové kabely, které jsou součástí dodávky.
13. Nepoužívejte toto zařízení v místnostech, kde jsou uskladněny hořlavé kapaliny nebo plyny, v blízkosti zdrojů tepla ani v obzvláště vlhkých místnostech, jako je například koupelna, sprcha nebo bazén.
14. Chcete-li zabránit poruchám, nekládejte do zařízení cizí předměty.
15. Nikdy nerozebírejte ani nevyměňujte vnitřní součásti zařízení.
16. Neumisťujte zařízení na přímé sluneční světlo, aby nedošlo k jeho zbarvení.
17. Nikdy neponořujte zařízení do vody ani do jiných kapalin.
18. Nedotýkejte se napájecího kabelu mokřýma rukama.
19. Nesahejte na teplou mlhu velmi zblízka.
20. Před uložením zařízení jej nejprve vyčistěte a osušte (a rovněž odstraňte veškerou vodu, která zůstala uvnitř). Umístěte jej na chladné a suché místo mimo dosah dětí.
21. Nádržku na vodu nečistěte v případě, že je voda stále horká.
22. Používejte, udržujte a čistěte toto zařízení, jak je popsáno v této uživatelské příručce.

Uvedení zařízení do provozu

Nejprve vyjměte zařízení Clean Air Optima[®] CA-607B z krabice a nechte, aby se přizpůsobilo pokojové teplotě, a to alespoň po dobu 30 minut a obzvláště tehdy, je-li zařízení studené vlivem venkovního ovzduší. Umístěte je na pevný rovný povrch, jenž není choulostivý na působení vody, a to přibližně 60 cm od podlahy a nejméně 20 cm od zdi.

Zařízení CA-607B je navrženo tak, aby pracovalo v teplotním rozmezí 5–40 °C a za relativní vlhkosti nižší než 80 %.

V první řadě vyjměte nádržku na vodu ze základny pomocí **úchytu** v horní části. Poté nádržku otočte a vyšroubujte a vyjměte **víko nádržky a filtr**.

Úchyt



Víko nádržky a filtr



Naplnění pomocí vodovodního kohoutku



Poté nádržku umístěte pod **vodovodní kohoutek** a držte ji za úchyt ve spodní části. Naplňte ji vodou (mimo kohoutkové lze použít jakýkoli čistý vodní zdroj s teplotou pod 40 °C) a nasadte zpět víko a filtr. Nádržku otočte zpět, aby byla ve správné poloze. Zkontrolujte, zda je vodní komora čistá, a poté nádržku opatrně vložte zpět na základnu.

Vyčkejte několik sekund, než začne víko uvolňovat vodu do vodní komory. Vlivem vzduchu, který se do nádržky dostane, uslyšíte, jak voda zabublá. Zapojte napájecí kabel do vhodné zásuvky. Zařízení vydá zvukový signál, což znamená, že je v pohotovostním režimu. Při zapnutí/vypnutí zvlhčovače se zobrazí hodnoty pro teplotu (**maximální odchylka od pokojové teploty může činit přibližně 2–5 stupňů**) a vlhkost.



Zapnutí/vypnutí:

Stisknutím **tlačítka zapnutí/vypnutí** uvedete zvlhčovač vzduchu do provozu. Zařízení bude pracovat v manuálním režimu. Bude neustále vypouštět studenou mlhu, jejíž intenzita bude automaticky nastavena na střední úroveň.



Ruční nastavení:

Pomocí **tlačítka pro ruční nastavení** můžete měnit úroveň mlhy (nízká, střední, vysoká). Jsou k dispozici 3 úrovně tvorby mlhy.



Dětský zámek:

Dětský zámek chrání před nežádoucím použitím přístroje.

Dětský zámek se zapíná/vypíná stisknutím **tlačítka pro ruční nastavení** po dobu tří sekund.

Pokud je dětský zámek zapnutý, zobrazí se na displeji červená ikona  zámku.



Nastavení vlhkosti:

Opakovaným stisknutím **tlačítka pro nastavení vlhkosti** můžete na displeji volit požadovanou úroveň vlhkosti (od 40 % do 80 % s 5% přírůstky). Jakmile se dostanete na požadovanou úroveň, tlačítko již dále nemačkejte. Zvolená vlhkost se tak uloží.

Jakmile je v místnosti požadované úrovně vlhkosti dosaženo, zařízení automaticky přejde do režimu spánku a po 1 minutě přestane tvořit mlhu. Pokud by se úroveň vlhkosti v místnosti snížila pod požadovanou úroveň, začne zařízení mlhu opět tvořit.



Nastavení režimu:

Pokud stisknete **tlačítko pro nastavení režimu** jednou, aktivujete režim spánku.

Dvojitým stisknutím aktivujte automatický režim, trojitým stisknutím dětský režim, a stisknete-li tlačítko čtyřikrát, aktivuje se režim zdraví.

(Režim spánku-automatický režim-dětský režim-režim zdraví-režim spánku...).



Režim spánku:

Aktivujete-li režim spánku, dojde během 10 sekund k vypnutí displeje. Aktivní zůstane pouze kontrolka pro tento režim.

Automatický režim:

V závislosti na teplotě nastaví zvlhčovač vzduchu optimální vlhkost

Teplota vzduchu ve stupních Celsia	Vlhkost v %
19 a méně	65
20-21	60
22-23	55
24-25	50
26-27	45
28-29	40

- Zařízení určí okolní teplotu (maximální odchylka od aktuální pokojové teploty může činit přibližně 2-5 stupňů).
- Na základě databáze zařízení jsou určeny úrovně optimální vlhkosti pro různé teploty.
- Zařízení pracuje na maximální výkon, aby byla dosažena optimální vlhkost.
- Po dosažení optimální vlhkosti se zvlhčování vzduchu zastaví.
- Zařízení každých 10 minut kontroluje, zda je úroveň teploty a vlhkosti v souladu.



Dětský režim:

Po aktivaci **dětského režimu** zařízení zapne funkci teplé mlhy a UV světla a pracuje na maximální výkon tak, aby dosáhlo 55% vlhkosti. Po dosažení této úrovně se zvlhčování vzduchu zastaví. Zařízení kontroluje úroveň vlhkosti každých 10 minut.



Režim zdraví:

Po aktivaci **režimu zdraví** zařízení zapne funkci teplé mlhy a UV světla. Zároveň vypočítá optimální vlhkost a začne pracovat na maximální výkon tak, aby jí dosáhlo. Optimální vlhkost pro režim zdraví se vypočítá jako při zapnutí automatického režimu, ale s tím rozdílem, že k výsledku je přičteno 5 %.

Příklad:

Optimální vlhkost pro automatický režim = 50 %, optimální vlhkost pro režim zdraví = 50 + 5 = 55 %

Po dosažení optimální vlhkosti se zvlhčování vzduchu zastaví. Zařízení každých 15 minut kontroluje, zda je úroveň teploty a vlhkosti v souladu.



Ionizace zápornými ionty:

Stisknutím **tlačítka pro ionizaci zápornými ionty** dojde k aktivaci generátoru záporných iontů s celkovou kapacitou > 3 000 000 záporných iontů / cm³, které jsou rozptýleny po celé místnosti, aby neutralizovaly znečišťující látky a pachy. Záporné ionty na sebe vážou prachové částice, mikroorganismy a jiné nežádoucí částičky v ovzduší a navzájem je propojují. Díky tomu jsou tak částice těžší než vzduch, což znamená, že spadnou na zem. Vy je tak nebudete vdechovat.

Negativní ionty se nejčastěji nachází v lesích, horách a u moře. Zajišťují čerstvé a zdravé ovzduší.



Časovač:

Stisknutím **tohoto tlačítka** nastavíte časovač. Tato funkce určuje, jak dlouho bude zvlhčovač vzduchu v provozu. Nastavit ji lze jednoduše tak, že pro každou požadovanou hodinu provozu zařízení stisknete tlačítko jednou. Časovač lze nastavit od 1 až po 12 hodin. Jak doba ubíhá, snižuje se nastavený čas, až dosáhne hodnoty 00:00. Poté se zařízení vypne.




Ohřev:

Stisknutím **tlačítka pro ohřev** dojde k aktivaci funkce teplé mlhy. Na LED displeji se zobrazí formou tří vertikálních vlnovek. Ohřev vody ve vodní komoře je zajištěn topným tělesem PTC. Teplota musí přesáhnout 65 stupňů, aby byly zničeny účinné bakterie (legionella). Díky ohřevu vody je výsledná mlha jemnější, díky čemuž probíhá zvlhčení vzduchu rychleji a účinněji.




UV světlo:

Podržte **tlačítko pro UV světlo** 3 sekundy, aby došlo k aktivaci funkce UV sterilizace, jež zabíjí bakterie při tvorbě mlhy, tedy ještě předtím, než je vypuštěna do místnosti. Na displeji  se zobrazí ikona UV světla. Chcete-li tuto funkci vypnout, podržte opět toto tlačítko po dobu 3 sekund.

Automatické vypnutí, když je nádržka na vodu prázdná

Pokud se nádržka vyprázdní, zazní trojitý akustický signál. Na displeji se rozsvítí příslušný



symbol , zatímco ostatní ukazatele zhasnou. Zvlhčování vzduchu se automaticky vypne. V tomto případě zařízení vypnete pomocí tlačítka zapnutí/vypnutí. Před doplněním vody do nádržky nechte zařízení nejprve vychladnout.

Upozornění: Zařízení a voda v rozprašovací (vodní) komoře mohou být velmi horké. V případě, že byste chtěli zařízení ihned po vypnutí zdvihnout či vyjmout nádržku na vodu, mohli byste se opařit horkou vodou!

Nezapomeňte nádržku vždy dostatečně naplnit.

Dálkové ovládání

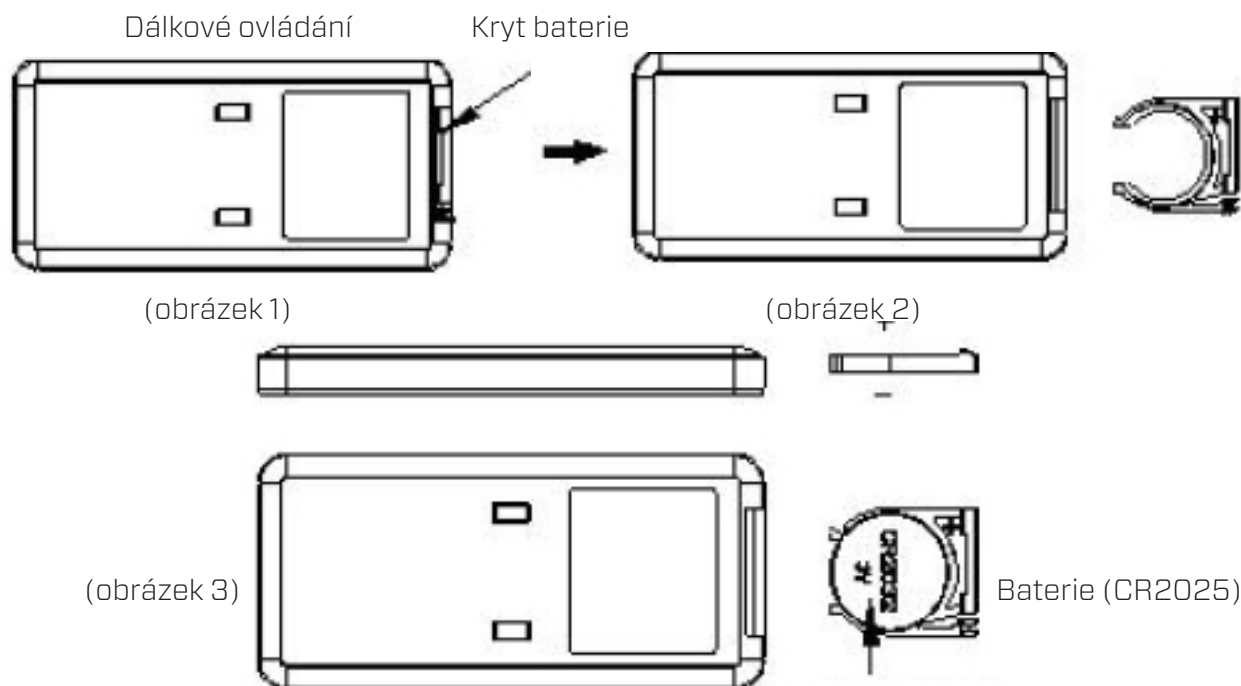
Tlačítka na vašem dálkovém ovládání:

1. Režim spánku
2. Automatický režim
3. Dětský režim
4. Režim zdraví
5. Požadovaná vlhkost
6. Min. / max.
7. ZAP / VYP
8. Časovač
9. Ohřev
10. UV světlo
11. Ionizace zápornými ionty
12. Dětský zámek



Výměna baterií v dálkovém ovládání

1. Chcete-li vložit do dálkového ovládání baterii, otevřete kryt na zadní straně ovladače. (viz obrázek 1).
2. Vložení baterie: ve spodní části dálkového ovládání se nachází „bezpečnostní pojistka“, kterou je nejprve třeba posunout doprava, abyste mohli vytáhnout držák baterie. (viz obrázek 2). Vložte baterii – dbejte přitom na správnou polaritu. (viz obrázek 3).
3. Zatlačte kryt baterie zpět.



Příprava vodního filtru W-01B zařízení Clean Air Optima[®]

Vodní filtr W-01B snižuje tvorbu vodního kamene ve vodě a nežádoucí vypouštění těchto vápenatých částic do místnosti. V závislosti na tvrdosti vody je filtr účinný jeden až tři měsíce. Tvrdá kohoutková voda způsobuje rychlejší nasycení granulátu, což znamená, že musí být **vodní filtr W-01B** vyměněn dříve.

1. Opláchněte **vodní filtr W-01B** studenou kohoutkovou vodou. Oplachujte 2 minuty.



2. Našroubujte **vodní filtr W-01B** na víko nádržky na vodu.

Určení tvrdosti vody:

1. Namočte přiložený testovací proužek do sklenice studené kohoutkové vody na 1 sekundu.



2. Výslednou tvrdost vody odečtete po uplynutí jedné minuty.
3. Předpokládanou dobu použitelnosti **vodního filtru W-01B** naleznete v uvedené tabulce.

■ ■ ■ ■	= 3 měsíce
■ ■ ■ ■	= 3 měsíce
■ ■ ■ ■	= 2 měsíce
■ ■ ■ ■	= 2 měsíce
■ ■ ■ ■	= 1 měsíc

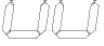
Nasycený **vodní filtr W-01B** vhazujte do běžného domovního odpadu.

Vodní filtr W-01B nesmí být používán déle, než je uvedeno.

Vodní filtr W-01B si můžete objednat v našem e-shopu na adrese www.cleanairoptima.com

Výměna filtru W-01B zařízení Clean Air Optima[®]

Zařízení **Clean Air Optima CA-607B** je vybaveno mechanismem pro kontrolu životnosti filtru, který vás po 400 provozních hodinách upozorní na to, že je **vodní filtr W-01B** třeba vyměnit.

Za tímto účelem zobrazí příslušná kontrolka dvě nuly.  Časovač pro vodní filtr resetujete tak, že stisknete tlačítko zapnutí/vypnutí a podržíte je přibližně 3 sekundy. Pokud kontrolka zhasne, proběhlo resetování úspěšně.

Umístění/výměna Clean Air Optima[®] s ionty stříbra Silver Ion SI-01

Ionty stříbra **Silver Ion SI-01** využívají antibakteriálních účinků stříbra a zamezují tak tvorbě bakterií a pachů ve vodě. Tyto **ionty** pracují i tehdy, když je váš zvlhčovač vzduchu vypnutý, aby voda zůstala stále čerstvá.

Vyměňte **je** na začátku zvlhčovací sezóny **nebo** po jednom roce používání.

Výměna iontů stříbra Silver Ion SI-01:

1. Vyjměte nádržku na vodu ze základny pomocí úchytu v horní části.



2. Vyjměte použité ionty stříbra **Silver Ion SI-01**.



3. Vložte nové ionty stříbra **Silver Ion SI-01**.

Použité ionty stříbra **Silver Ion SI-01** vyhazujte do běžného domovního odpadu.

Ionty stříbra **Silver Ion SI-01** nesmí být používány déle, než je uvedeno.

Ionty stříbra **Silver Ion SI-01** si můžete objednat v našem e-shopu na adrese www.cleanairoptima.com

Aromaterapie

Aktivace aromatické funkce:

- Vyjměte zásobník na aroma z držáku.
- Nalijte na houbičku 5–10 kapek esenciálního oleje Clean Air Optima[®].
- Vložte zásobník zpět do držáku.
- Aromatická funkce se aktivuje poté, co zvlhčovač vzduchu zapnete.
- Chcete-li tuto funkci deaktivovat nebo pokud nebudete zařízení delší dobu používat, vyjměte aroma houbičku z přihrádky a umyjte ji trochou jemné mýdlové vody. Než ji vložíte zpět do přihrádky, nechte ji kompletně vyschnout. Aroma houbičku lze používat opakovaně.



Důležité

Abyste dosáhli nejlepších výsledků a užili si ultrazvukový zvlhčovač vzduchu na maximum, měli byste si pozorně přečíst následující pokyny ohledně využívání esenciálních olejů v ultrazvukovém zvlhčovači vzduchu CA-607B.

Využívání esenciálních olejů v zařízení CA-607B

Využijte našich vysoce kvalitních esenciálních olejů a dopřejte si soukromou aromaterapii! Požitek z vůně na té nejvyšší úrovni!

V našem sortimentu můžete najít ty nejkvalitnější esenciální oleje mnoha různých vůní.

Pro ultrazvukový zvlhčovač vzduchu CA-607B jsou ideální volbou – byly totiž pro toto zařízení speciálně vyvinuty:



Esenciální oleje **si můžete objednat** v našem e-shopu na adrese www.cleanairoptima.com

Varování!

Používání esenciálních olejů, jež nebyly pro tento zvlhčovač vzduchu speciálně vyvinuty, nebo jiných přídatných látek (např. parfémů a přípravků na čištění vody) může toto zařízení poškodit, a proto je jejich používání **ZAKÁZÁNO!** Nikdy do nádržky na vodu ani vodní komory nepřidávejte jiné než určené čisté esenciální oleje nebo další látky! I malé množství těchto látek by mohlo poškodit plast a způsobit praskliny.

Tyto přídatné látky jsou pro materiál zařízení zcela nevhodné. I pouhá jedna kapka může poškodit jak nádržku na vodu/vodní komoru, tak celkovou funkčnost zařízení. Zařízení, k jehož poškození dojde vlivem těchto látek, nepodléhá záruce.

Čištění a údržba

Budete-li dodržovat následující jednoduché pokyny, jak o zařízení **Clean Air Optima[®] CA-607B** pečovat, můžete si zajistit mnoho let jeho bezproblémového provozu. Máte-li tvrdou vodu, která obsahuje vysoké koncentrace vápníku a jiných minerálů, může se vám po čase na nejrůznějších površích v místnosti začít usazovat bílý prach. Bílá látka připomínající povlak se může rovněž začít tvořit ve vodní komoře, na měniči a po vnitřních stranách nádržky. Tento bílý povlak bude zhoršovat funkčnost měniče a celkový provoz zařízení.

Doporučujeme postupovat následovně

1. Pokud zařízení používáte každý den, umývejte měnič, nádržku na vodu a vodní komoru jednou týdně.
2. Jakmile potřebuje nádržka doplnit, vylijte zbývající vodu a napusťte vodu čerstvou.
3. Pokud zařízení nebudete používat, umyjte jej a nechte všechny části zcela vysušit.

Jak vyčistit měnič

1. Naneste na povrch měniče 5–10 kapek octa a vyčkejte 2–5 minut.
2. Pomocí malého kartáče, vatové tyčinky či zubního kartáčku jemně vyčistěte z povrchu měniče minerální povlak.
3. Poté jej opláchněte čistou vodou.
4. Nikdy měnič nečistěte pomocí ostrých či tvrdých předmětů



Jak vyčistit vodní komoru

1. Vodní komoru vyčistěte měkkým navlhčeným hadříkem. Pokud se na jejím povrchu vyskytuje nadbytečný povlak, namočte hadřík do octa a celý postup zopakujte znovu.
2. Pokud se povlak vyskytuje také v záhybech, nakapejte do nich trochu octa a vyčistěte kartáčkem.
3. Poté komoru opláchněte čistou vodou.

Řešení možných problémů

Následující návod pro řešení možných problémů Vám pomůže vyřešit jakékoli potíže, které mohou při používání ultrazvukového zvlhčovače vzduchu **Clean Air Optima[®] CA-607B** nastat.

Problém	Možná příčina	Řešení
Netvoří se žádná mlha.	Není zapojen napájecí kabel. Nebylo stisknuto tlačítko zapnutí/vypnutí. Nádržka na vodu je prázdná. V nádržce je málo vody.	Zapojte napájecí kabel do zásuvky. Stiskněte tlačítko zapnutí/vypnutí. Napuněte do nádržky vodu. Doplňte do nádržky vodu.
Mlha podivně zapáchá.	Nové zařízení. Buď je voda špinavá, nebo byla v nádržce příliš dlouho.	Vyjměte nádržku, odšroubujte víko a nechte ji větrat na chladném místě po dobu 12 hodin. Vyčistěte nádržku a napuněte do ní čistou vodu.
Objem rozprašované mlhy je příliš nízký.	Velké množství minerálních usazenin ve vodní komoře a na měniči. Voda je příliš špinavá nebo byla v nádržce ponechána příliš dlouho.	Vyčistěte měnič. Vyčistěte nádržku a napuněte do ní čistou vodu.
Zařízení je hlučné.	Nádržka na vodu není umístěna správně. V nádržce je málo vody. Zařízení je umístěno na nestabilním povrchu.	Umístěte nádržku na základnu správným způsobem. Doplňte do nádržky vodu. Umístěte zařízení na pevný a rovný povrch.
Mlha vychází okolo výstupní trysky.	Mezi krytem okolo trysky a vrchní částí nádržky na vodu jsou mezery.	Odstraňte trysku z vrchní části nádržky a otřete ji vlhkým hadříkem. Připevněte ji zpět na nádržku.

Pokud je vaše voda velmi tvrdá (obsahuje extrémně vysoké koncentrace minerálů), může zařízení vytvářet bílý prach. Nejedná se o závadu. Tento problém lze řešit častější výměnou vodního filtru W-01B nebo používáním měkčí vody, např. destilované. Případně můžeme také doporučit čističku vzduchu Clean Air Optima; více informací naleznete v našem e-shopu www.cleanairoptima.com

VAROVÁNÍ!

Pokud výše uvedená řešení nepomohou, obraťte se na technickou podporu Clean Air Optima na telefonním čísle určeném pro váš region. Nepokoušejte se zařízení rozebrat, znovu sestavit nebo opravit, protože může dojít k propadnutí záruky.

Technické parametry

Model	CA-607B
Pro místnosti do velikosti	65 m ² / 160 m ³ / 699 ft ²
Jmenovité napětí	220 V – 240 V, 50/60 Hz
Jmenovitý výkon	25 W–Max. 105 W
Objem zvlhčování vzduchu	Min. 120 ml/h–max. 480 ml/h
Aktivní kyslík	<0,05 ppm
Hladina hluku	Tichý ventilátor < 25 dB(A)
Rozměry	230 × 150 × 370 mm
Hmotnost	3,4 kg
Nádržka na vodu	5,5 l
Barva	Černá, nádržka na vodu z kouřového skla

Splňuje požadavky předpisů EU CE/WEEE/RoHS

Požádejte svého prodejce nebo obec o aktuální informace týkající se likvidace obalu a tohoto zařízení.



Servis

Záruční list pro ultrazvukový zvlhčovač vzduchu Clean Air Optima[®] CA-607B.

Datum nákupu:
Jméno zákazníka:
Adresa:
Telefon:
E-mail:
Jméno prodejce:
Adresa:

1. Tento záruční list prosím vyplňte. Zašlete jej spolu s fakturou a spotřebičem, s poštovním hrazeným předem a v původním obalu svému distributorovi. Přesvědčte se, že jste uhradili poštovné za vrácení zásilky.
2. Připojte krátký popis poškození, vady nebo poruchy a okolnosti, za kterých k uvedenému problému došlo.

Ultrazvukový zvlhčovač vzduchu **Clean Air Optima[®] CA-607B** byl u výrobce podroben přísným testům. Pokud v průběhu 2 let od data zakoupení produkt přestane fungovat v souladu se specifikacemi z důvodu výrobních vad, kupující má právo na bezplatnou opravu nebo výměnu součástí na základě předložení tohoto záručního listu (za předpokladu, že k poruše nebo poškození zařízení, případně součástí, došlo za běžných provozních podmínek). Záruka se vztahuje na následující: všechny součásti, u nichž se projeví vada materiálu nebo výrobní vada. Jak dlouho: po dobu dvou let od data zakoupení. Co uděláme: opravíme nebo vyměníme jakékoli vadné součásti.

Další podmínky

Ustanovení tohoto záručního listu jsou namísto jakékoli písemné záruky, ať již výslovné či mlčky předpokládané, písemné nebo ústní, včetně záruky prodejnosti a vhodnosti pro konkrétní účel. Maximální odpovědnost výrobce nepřekročí aktuální kupní cenu, za kterou bylo zařízení zakoupeno. Za žádných okolností výrobce nenese odpovědnost za zvláštní, následné ani nepřímé škody. Tato záruka se nevztahuje na vady, které vznikly v důsledku nesprávného nebo nepřiměřeného použití či údržby, vadné montáže, havárie, přírodní katastrofy, nesprávného zabalení nebo neoprávněného zásahu, změny nebo úpravy podle našeho vlastního úsudku. Tato záruka propadá, pokud dojde k odstranění štítku s výrobním číslem nebo pokud se tento štítek stane nečitelným.

Nikdy do nádržky na vodu ani vodní komory nepřidávejte jiné než určené čisté esenciální oleje nebo další látky! I malé množství těchto látek by mohlo poškodit plast a způsobit praskliny.

Děkujeme Vám za přečtení těchto pokynů.



Máte-li k ultrazvukovému zvlhčovači vzduchu Clean Air Optima® CA-607B jakékoli komentáře, podělte se o ně s námi na adrese:
www.cleanairoptima.com



Často kladené otázky týkající se produktu CA-607B najdete na adrese:
www.cleanairoptima.com, kde do vyhledávání zadejte CA-607B.



Uživatelskou příručku ve formátu PDF stáhnete na:
www.cleanairoptima.com/info/manuals



Podívejte se na všechna animační videa týkající se produktu Clean Air Optima® na adrese:
www.youtube.com

Clean Air Optima International B.V. | David Ricardostraat 9-7 / 9-9 | 7559 SH Hengelo (ov)
Nizozemsko | Telefon: +31 (0) 74 - 2670145

Clean Air Optima Germany GmbH | Enschedestraße 14 | 48529 Nordhorn | Německo
Telefon: +49 (0) 5921 879-121

E-mail: info@cleanairoptima.com

Internet: www.cleanairoptima.com

Lietuvių kalba

Dėkojame, kad įsigijote „Clean Air Optima[®]“ ultragarsinį drėkintuvą „CA-607B“.
Linkime jums ne vienerius metus mėgautis švairiu patalpų oru, naudojant šį veiksmingą ir efektyvų gaminį.

Šioje instrukcijoje aprašomi saugos nurodymai, kurių reikia laikytis naudojant prietaisą. Jie skirti apsaugoti nuo traumų ir išvengti prietaiso pažeidimo.

Prietaiso aprašymas

Prietaisą sudaro šios pagrindinės dalys:

1. Miglos purkštukas
2. Rankena
3. Vandens bakelis
4. Plūdė
5. Kvapų skyrelis
6. Maitinimo laidas
7. PTC šildytuvas
8. Vandens bakelio dangtelis ir filtras

Saugos įspėjimai

Šį prietaisą galima naudoti tik laikantis šių saugos instrukcijų. Imkitės toliau nurodytų priemonių, kad sumažintumėte traumų riziką, pavyzdžiui, dėl elektros smūgio ar gaisro.

1. Naudokite prietaisą tik patalpose. Nenaudokite ir nelaikykite prietaiso lauke.
2. Naudokite tinkamą įtampą: 220–240 V, 50 / 60 Hz KS
3. Vidinis ultragarso keitiklis yra labai jautrus. Nelieskite jo plikais pirštais ir nebraižykite metaliniais įrankiais, antraip sumažės skleidžiamos miglos kiekis. Šią sritį valykite mažu valymo šepetėliu, medvilniniu tamponu ar dantų šepetėliu. Nenaudokite karšto vandens, nes jis gali pažeisti miglą skleidžiančias dalis.
4. Prietaisas neskirtas vaikams ar asmenims, kurių fiziniai, jutiminiai ar protiniai gebėjimai yra riboti, nebent juos prižiūri už jų saugą atsakingas asmuo.
5. Prietaisas turi būti nepasiekiamas vaikams, nebent jie nuolat prižiūrimi.
6. Norėdami saugiai naudoti prietaisą, padėkite jį stabiliai ir horizontaliai. Nejudinkite naudojamą prietaiso.
7. Siekiant išvengti trukdžių ir žalos kitiems elektroniniams prietaisams, šį įrenginį reikia statyti mažiausiai 1 metro atstumu nuo kompiuterio, televizoriaus, radijo aparato ir kitos elektroninės įrangos.
8. Nenaudokite prietaiso, jei elektros laidas arba pats prietaisas yra pastebimai apgadinti. Jei prietaisas sugadintas, netaisykite jo patys. Prietaiso netraukite už laido. Apgadintą maitinimo laidą turi pakeisti įgaliotas techninės priežiūros darbuotojas, kad būtų išvengta elektros smūgio ar gaisro.
9. Remontą gali atlikti tik įgaliotas techninės priežiūros darbuotojas. Siekdami išvengti elektros smūgio ar gaisro, nbandykite taisyti prietaiso patys.
10. Kai prietaiso nenaudojate arba valote jo vidines ar išorines dalis, būtinai išjunkite iš maitinimo lizdo.
11. Prieš perkeldami prietaisą išimkite vandens bakelį.
12. Naudokite tik rinkinyje esančius maitinimo laidus.
13. Nenaudokite prietaiso patalpose, kuriose laikomi degūs skysčiai ar dujos, arti šilumos šaltinių arba itin drėgnose patalpose, pavyzdžiui, vonioje, duše ar baseine.
14. Siekdami išvengti prietaiso gedimo, niekada į jį nedėkite tam neskirtų objektų.
15. Niekada neišmontuokite ir nekeiskite prietaiso vidinių dalių.
16. Siekdama išvengti prietaiso spalvos blukimo, nelaikykite jo tiesioginėje saulės šviesoje.
17. Niekada nenardinkite prietaiso į vandenį ar į kitus skysčius.
18. Nelieskite maitinimo laido šlapiomis rankomis.
19. Nelieskite šiltos miglos iš arti.
20. Prieš padėdami prietaisą saugoti, jį išvalykite ir nusauskite (taip pat išpilkite iš prietaiso visą vandenį). Įrenginį laikykite vėsioje ir sausoje, vaikams nepasiekiamoje vietoje.
21. Nevalykite vandens nuotako, jei vanduo dar karštas.
22. Prietaisą naudokite, prižiūrėkite ir valykite pagal šio vadovo nurodymus.

Naudojimo instrukcijos

Prieš pradėdami naudoti, išimkite „Clean Air Optima“[®] CA-607B iš dėžės ir palikite prisitaikyti prie patalpos temperatūros mažiausiai 30 minučių, ypač jei įrenginys atneštas iš šalto lauko oro. Padėkite prietaisą ant tvirto, lygaus ir vandeniui nejautraus paviršiaus, maždaug 60 cm aukštyje virš grindų ir mažiausiai 20 cm atstumu nuo sienos.

CA-607B sukurtas veikti esant 5–40 °C temperatūrai ir mažesnei nei 80 % santykinei drėgmei. Pirmiausia suimkite vandens bakelį už viršuje esančios **rankenos** ir pakelkite nuo pagrindo. Tada apverskite bakelį, atsukite ir nuimkite jo **dangtelį, išimkite filtrą**.

Rankena



Vandens bakelio dangtelis ir filtras



Vandens pripylimas iš čiaupo



Pakiškite vandens bakelį po **čiaupu** ir pripildykite, laikydami už rankenos po vandens bakeliu. Pripildykite bakelį vandentiekio vandeniu (ar kitokio švaraus vandens, ne šiltesnio nei 40 °C), atgal uždėkite dangtelį ir filtrą. Dar kartą apverskite vandens bakelį, kad jis būtų tinkama puse aukštyje. Įsitinkinkite, kad dubuo švarus ir atsargiai įdėkite vandens bakelį atgal į apatinę korpuso dalį.

Palaukite kelias sekundes, kol per vandens bakelio dangtelį vanduo ims tekėti į dubenį. Orui patenkant į vandens bakelį girdėsite burbuliavimą. Įkiškite maitinimo laido kištuką į tinkamą maitinimo lizdą. Išgirsite signalą, rodantį, kad prietaisas veikia budėjimo režimu. Įjungus arba išjungus drėkintuvą parodomas temperatūros (**nuo kambario temperatūros skiriasi maždaug 2–5 laipsniais**) ir drėgmės reikšmės.



Maitinimo mygtukas:

Paspauskite **maitinimo mygtuką**, kad aktyvintumėte drėkintuvą. Dabar įrenginys veiks rankiniu režimu. Jis nuolat skleis vėsią miglą, automatiškai bus nustatytas vidutinis miglos intensyvumo greitis.




Rankinio režimo mygtukas:

Rankinio režimo mygtuku galima pakeisti miglos lygį (mažas, vidutinis, didelis). Galimi 3 miglos išvesties lygiai.



Užraktas nuo vaikų:

Užraktas nuo vaikų apsaugo prietaisą nuo neleistino naudojimo.

Užraktas nuo vaikų įjungiamas / išjungiamas paspaudus **rankinio režimo mygtuką** ir palaikius 3 sekundes. Kai įjungtas užraktas nuo vaikų, ekrane rodoma raudona spynos piktograma .



Drėkinimo mygtukas:

Paspausdami **drėkinimo mygtuką**, galite pasirinkti pageidaujamą drėgmės lygį – pakartotinai spauskite šį mygtuką, kol bus parodytas reikiamas drėgmės lygis (nuo 40 iki 80 %, 5 % žingsniu). Kai pasirinksite pageidaujamą drėgmės lygį, tiesiog nebespauskite mygtuko ir drėgmės lygis bus nustatytas.

Kai drėgmės lygis patalpoje pasieks nustatytąjį, įrenginys automatiškai pereis į miego būseną ir nustos skleisti miglą po 1 minutės. Patalpos faktiniam drėgmės lygiui nukritus žemiau nustatytojo, įrenginys vėl ims skleisti miglą.



Režimo mygtukas:

Vieną kartą paspaudus **režimo mygtuką**, įjungiamas miego režimas, paspaudę 2 kartus įjungsite automatinį režimą, 3 paspaudimais suaktyvinamas kūdikių režimas, o 4 kartus paspaudus įjungiamas sveikatos režimas. (Miego - automatinis - kūdikių - sveikatos - miego...).



Miego režimas:

Suaktyvinus miego režimą, ekranas išsijungia po 10 sekundžių. Šviečia tik miego režimo lemputė.

Automatinis režimas:

Atsižvelgdamas į temperatūrą, drėkintuvas nustato optimalią drėgmę

Oro temperatūra Celsijaus laipsniais	Drėgmė procentais
19 ir žemesnė	65
20-21	60
22-23	55
24-25	50
26-27	45
28-29	40

- Prietaisas nustato aplinkos temperatūrą (gali 2-5 laipsniais skirtis nuo faktinės kambario temperatūros).
- Optimalūs drėgmės lygiai skirtingoms temperatūroms paimami iš prietaiso duomenų bazės.
- Prietaisas veikia pilnu pajėgumu, kol pasiekiami optimali drėgmė.
- Pasiekus optimalią drėgmę drėkinimas nutraukiamas.
- Kas 10 minučių prietaisas tikrina temperatūros ir drėgmės lygio atitiktį.

Kūdikių režimas:

Suaktyvinus **kūdikių režimą**, prietaisas įjungia šiltos miglos ir UV šviesos funkcijas ir dirba pilnu pajėgumu, kol pasiekia 55 % drėgmę. Pasiekus 55 % drėgmę drėkinimas nutraukiamas. Drėgmės lygį prietaisas tikrina kas 10 minučių.

Sveikatos režimas:

Suaktyvinus **sveikatos režimą**, prietaisas įjungia šiltos miglos ir UV šviesos funkcijas, apskaičiuoja optimalią drėgmę ir pilnu pajėgumu jos siekia. Optimali sveikatos režimo drėgmė skaičiuojama taip pat kaip automatiniame režime, tik prie gauto rezultato pridedami 5 %.

Pavyzdys:

Optimali drėgmė automatiniame režime = 50 %, optimali drėgmė sveikatos režime = 50 + 5 = 55 %

Pasiekus optimalų drėgmės lygį drėkinimas sustabdomas.
Kas 15 minučių prietaisas tikrina temperatūros ir drėgmės lygio atitiktį.



Neigiamų jonų mygtukas:

Paspaudus **neigiamų jonų mygtuką** aktyvinamas neigiamų jonų generatorius. Jo maksimali išėiga yra > 3 000 000 neigiamų jonų / cm³. Šie neigiami jonai paskleidžiami visoje patalpoje ir neutralizuoja teršalus bei kvapus. Neigiami jonai tvirtinasi prie dulkių dalelių, mikroorganizmų ir kitų nepageidaujamų oro dalelių bei jungia jas vienas prie kito. Taip tos dalelės pasidaro sunkesnės už orą ir leidžiasi ant žemės, kur jų nebegalėsite įkvėpti.

Neigiami jonai dažniausiai randami miškuose, kalnuose ir prie jūros. Jie užtikrina, kad oras būtų šviežias ir sveikas.



Laikmačio mygtukas:

Paspausdami **laikmačio mygtuką** galite nustatyti laikmatį. Laikmačio funkcija apibrėžia, kiek valandų veiks drėkintuvas. Laikmatį galite nustatyti tiesiog paspausdami po vieną kartą kiekvienai valandai pagal tai, kiek laiko norite, kad prietaisas veiktų. Laikmatį galima nustatyti nuo 1 iki 12 valandų. Laikui bėgant reikšmė mažėja, o pasiekus 00:00 prietaisas išsijungia.




Šildymo mygtukas:


Paspaudus **šildymo mygtuką** aktyvinama šiltos miglos funkcija, LED ekrane ją nurodo trys banguotos vertikalios linijos. Vandenį dubenyje šildo PTC šildymo elementas. Vanduo įkaitinamas iki daugiau nei 65 laipsnių, kad sunaikintų bakterijas (legioneles). Vandens šildymas sukuria smulkesnes miglos daleles, kurios greičiau ir veiksmingiau drėkina.



UV šviesos mygtukas:

Nuspauskite ir palaikykite **UV šviesos mygtuką** 3 sekundes: prietaisas suaktyvins sterilizavimo ultravioletiniais spinduliais funkciją, kuri naikina miglos išvesties oro srauto bakterijas prieš miglai patenkant į patalpą. LED ekrane rodoma UV šviesos piktograma . Jei norite išjungti UV šviesos funkciją, dar kartą nuspauskite mygtuką ir palaikykite 3 sekundes.

Automatinis išjungimas ištuštėjus vandens bakeliui

Ištuštėjus vandens bakeliui, tris kartus pasigirsta garsinis signalas. Ekrane įsižiebia atitinkama piktograma , o kitos signalinės lemputės užgęsta. Prietaisas automatiškai nustoja drėkinti. Taip nutikus, išjunkite prietaisą mygtuku ĮJUNGIMAS / IŠJUNGIMAS. Leiskite prietaisui atvėsti ir tik tada į bakelį pripilkite vandens.

Dėmesio: Prietaisas ir vandens purškimo talpa (dubuo) gali būti stipriai įkaitę. Iškart po prietaiso naudojimo jį keldami arba išimdami vandens bakelį rizikuojate nusiplikyti karštu vandeniu!

Rūpinkitės, kad vandens bakelis visada būtų pilnai pripildomas iš naujo.

Nuotolinio valdymo pultas

Nuotolinio valdymo pulto mygtukai:

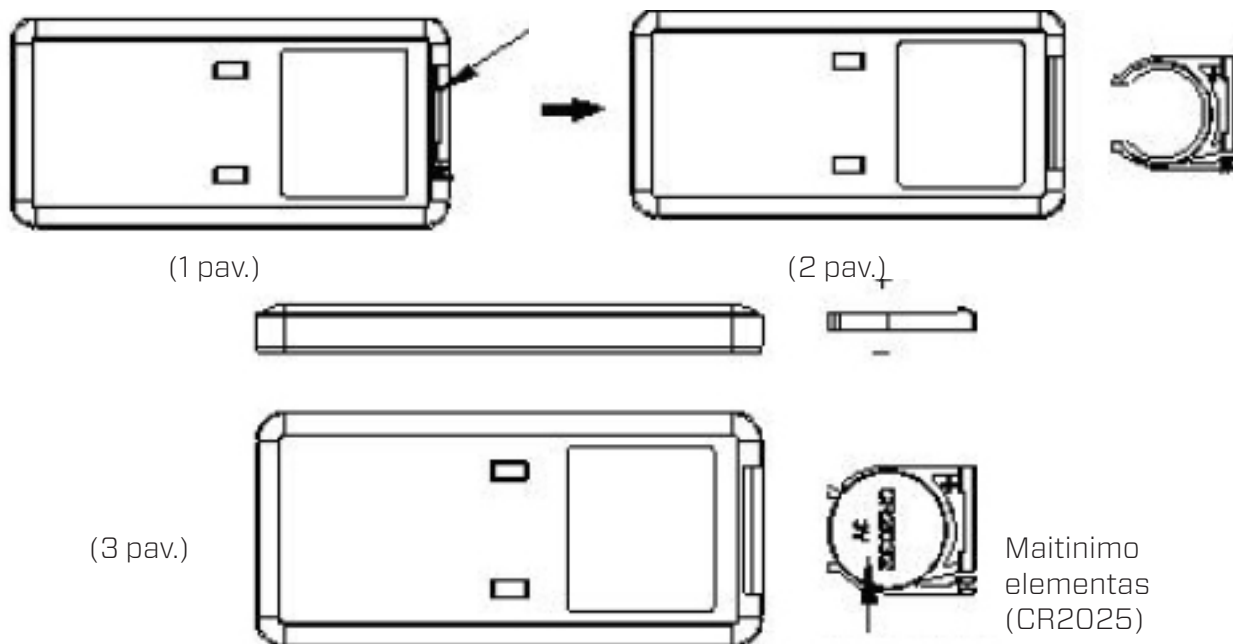
1. Miego režimas
2. Automatinis režimas
3. Kūdikių režimas
4. Sveikatos režimas
5. Pageidaujama drėgmė
6. Min. / maks.
7. ĮJUNGIMAS / IŠJUNGIMAS
8. Laikmatis
9. Šildymas
10. UV šviesa
11. Neigiami jonai
12. Užraktas nuo vaikų



Nuotolinio valdymo pulto maitinimo elemento keitimas

1. Nuimkite pulto galinėje pusėje esantį maitinimo elemento skyrelio dangtelį. (žr. 1 pav.).
2. Maitinimo elemento įdėjimas: nuotolinio valdymo pulto apačioje yra „saugos auselė“, pirmiausia turite ją paslinkti dešinėn ir tik tada galėsite ištraukti maitinimo elemento laikiklį. (žr. 2 pav.). Tinkama puse įdėkite maitinimo elementą. (žr. 3 pav.).
3. Maitinimo elemento skyrelio dangtelį įstumkite atgal į nuotolinio valdymo pultą.

Nuotolinio valdymo pultas Maitinimo elemento skyrelio dangtelis



Maitinimo
elementas
(CR2025)

„Clean Air Optima®“ vandens filtro „W-01B“ paruošimas darbui

Vandens filtras W-01B mažina kalkių kiekį vandenyje ir nepageidaujamų kalkių dalelių išskyrimą į patalpą. Veikia nuo vieno iki trijų mėnesių, priklausomai nuo vandens kietumo. Kietas čiaupo vanduo spartina smulkių dalelių susidarymą, todėl **vandens filtrą W-01B** keisti tenka dažniau.

1. **Vandens filtrą W-01B** 2 minutes praskalaukite po šalto vandens srove.



2. Prisukite **vandens filtrą W-01B** prie vandens bakelio dangtelio.

Vandens kietumo nustatymas:

1. Panardinkite pridėtą testinę juostelę į šalto čiaupo vandens stiklinę vienai sekunde.



2. Po minutės įvertinkite testinės juostelės rodomą vandens kietumą.
3. Kiek turėtų veikti **vandens filtras W-01B**, galite įvertinti pagal lentelę.

■ ■ ■ ■	= 3 mėnesius
■ ■ ■ ■	= 3 mėnesius
■ ■ ■ ■	= 2 mėnesius
■ ■ ■ ■	= 2 mėnesius
■ ■ ■ ■	= 1 mėnesį


Prisotintą **vandens filtrą W-01B** išmeskite su įprastinėmis namų ūkio šiukšlėmis.

Nereikėtų **vandens filtro W-01B** naudoti ilgiau nei nurodyta.

Vandens filtrą W-01B užsakyti galite mūsų internetinėje parduotuvėje, kurios adresas www.cleanairoptima.com

„Clean Air Optima[®]“ vandens filtro „W-01B“ keitimas

„Clean Air Optima CA-607B“ turi filtro veikimo trukmės stebėjimo mechanizmą, kuris po 400 darbo valandų primena, kad filtrą reikia pakeisti. Primindamas pakeisti **vandens filtrą W-01B**

drėkintuvas uždega dviejų nulių lempučių.  Iš naujo nustatykite vandens filtro laikmatį nuspausdami ir palaikydami maitinimo mygtuką maždaug 3 sekundes. Jei indikatoriaus lempučių užgęsta, laikmatis sėkmingai nustatytas iš naujo.

„Clean Air Optima[®]“ filtro „Silver Ion SI-01“ įdėjimas ir keitimas

Filtrą „Silver Ion SI-01“ naudoja nuo mikrobu saugantį sidabro poveikį ir neleidžia vandenyje augti bakterijoms bei kauptis kvapams. „Silver Ion SI-01“ veikia ir tada, kai drėkintuvas išjungtas, todėl vanduo išlieka šviežias visą laiką.

Filtrą „Silver Ion SI-01“ pakeiskite drėkintuvo naudojimo sezono pradžioje arba pakeiskite „Silver Ion SI-01“ po vienerių naudojimo metų.

Filtro „Silver Ion SI-01“ keitimas:

1. Suimkite vandens bakelį už viršuje esančios rankenos ir pakelkite nuo pagrindo.



2. Išimkite naudotą filtrą „Silver Ion SI-01“.



3. Įdėkite naują „Silver Ion SI-01“.

Seną filtrą „Silver Ion SI-01“ išmeskite su įprastinėmis namų ūkio atliekomis.

„Silver Ion SI-01“ negalima naudoti ilgiau nei nurodyta.

Filtrą „Silver Ion SI-01“ galite užsisakyti mūsų internetinėje parduotuvėje adresu www.cleanairoptima.com

Aromaterapija

Kvapų funkcijos aktyvinimas:

- Ištraukite kvapų dėklą.
- Ant kempinės užlašinkite 5–10 lašų „Clean Air Optima[®]“ eterinio aliejaus.
- Įdėkite kvapų dėklą atgal.
- Kai įjungsite oro drėkintuvą, bus suaktyvinama kvapų funkcija.
- Jei norite ją išjungti arba jei ilgesnį laiką nenaudosite prietaiso, išimkite kvapų kempinę iš skyrelio ir išplaukite ją naudodami nedidelį kiekį nestipriai muiluoto vandens. Leiskite kempinei visiškai išdžiūti prieš dėdami ją atgal į kvapų skyrelį. Kvapų kempinę galima naudoti daug kartų.



Svarbu

Kad galėtumėte džiaugtis geriausiais rezultatais ir gauti kuo daugiau naudos iš ultragarsinio oro drėkintuvo, patariame atidžiai perskaityti toliau pateiktas instrukcijas apie eterinių aliejų naudojimą su ultragarsiniu oro drėkintuvu „CA-607B“.

Eterinių aliejų naudojimas įrenginyje „CA-607B“

Naudokite mūsų aukštos kokybės eterinius aliejus ir mėgaukitės asmenine aromaterapija! Nuostabiausi kvapų teikiami pojūčiai!

Aukštos kokybės įvairių kvapų eterinių aliejų rasite mūsų prekių asortimente. Jie puikiai tinka ultragarsiniam oro drėkintuvui „CA-607B“ ir buvo specialiai sukurti naudoti su šiuo ultragarsiniu drėkintuvu.



Eterinių aliejų užsakyti galite mūsų internetinėje parduotuvėje, kurios adresas www.cleanairoptima.com

Įspėjimas!

Naudojant kitus eterinius aliejus, neskirtus šiam oro drėkintuvui, arba kitokius priedus (pavyzdžiui, kvepalus ar vandens valymo priemones) galima sugadinti oro drėkintuvą, todėl jų naudoti **NEGALIMA!** Jokiu būdu nedėkite grynų eterinių aliejų ar kitų priedų į vandens bakelį ar vandens dubenį! Netgi dėl mažo kiekio gali būti pažeistas plastikas ir atsirasti įtrūkimų.

Medžiaga nėra skirta naudoti su priedais. Pakanka vieno lašo, kad būtų pažeistas vandens bakelis / dubuo ir prietaisas taptų nebetinkamas naudoti. Prietaisams, sugadintiems naudojant priedus, garantija negalioja.

Valymas ir priežiūra

Laikydami kelių paprastų priežiūros procedūrų, **Clean Air Optima[®] drėkintuvu CA-607B** be rūpesčių galėsite naudotis daug metų. Jei jūsų vanduo kietas, jame daug kalcio ir kitų mineralų, po tam tikro laiko ant įvairių patalpos paviršių pradeda nusėti baltos dulkės. Balta, plėvelę primenanti medžiaga pradeda kauptis vandens dubenyje, ant keitiklio ir ant vidinio vandens bakelio paviršiaus. Dėl šios baltos plėvelės suprastėja keitiklio ir įrenginio veikimas.

Rekomenduojame toliau nurodytas priemones

1. Jei prietaisą naudojate kasdien, keitiklį, vandens bakelį ir dubenį valykite kartą per savaitę.
2. Prireikus pripildyti vandens bakelį, išpilkite iš jo likusį vandenį ir pripilkite šviežio vandens.
3. Išvalykite visą prietaisą, o kai jo nenaudojate, pasirūpinkite, kad visos jo dalys būtų visiškai sausos.

Kaip valyti keitiklį

1. Ant keitiklio paviršiaus užpilkite 5–10 lašų acto ir palaukite 2–5 minutes.
2. Mažu šepetėliu, medvilniniu tamponu ar dantų šepetuku švelniai nuvalykite mineralų plėvelę nuo keitiklio paviršiaus.
3. Nuskalaukite keitiklį švari vandeniu.
4. Keitiklio niekada nevalykite aštriais ar kietais daiktais



Kaip valyti vandens dubenį

1. Vandens dubenį valykite minkšta drėgna šluoste. Jei ant paviršiaus susidarė storesnė plėvelė, pamerkite šluostę į actą ir pakartokite procedūrą.
2. Jei bet kurioje dubens įduboje susidarė plėvelė, įlašinkite į įdubą šiek tiek acto ir išvalykite šepetėliu.
3. Išskalaukite dubenį švari vandeniu.

Trikčių šalinimas

Toliau pateikiamas trikčių šalinimo vadovas, kuris padės išspręsti bet kokias problemas, kurių gali kilti naudojant **Clean Air Optima[®] ultragarsinį drėkintuvą CA-607B**.

Problema	Galima priežastis	Sprendimas
Įrenginys neskleidžia miglos.	Maitinimo laidas neįjungtas į lizdą. Nepaspaustas mygtukas ĮJUNGIMAS / IŠJUNGIMAS. Tuščias vandens bakelis. Bakelyje per mažai vandens.	Įjunkite prietaisą į maitinimo lizdą. Paspauskite mygtuką ĮJUNGIMAS / IŠJUNGIMAS. Į bakelį pripilkite vandens. Bakelį pripildykite vandens.
Migla skleidžia keistą kvapą.	Naujas prietaisas. Vanduo nešvarus arba užsistovėjęs.	Išimkite vandens bakelį, atsukite dangtelį ir palikite išsivėdinti vėsioje vietoje 12 valandų. Išvalykite vandens bakelį ir pripilkite švaraus vandens.
Skleidžiama per mažai miglos.	Vandens dubenyje ir ant keitiklio susikauptė per daug mineralinių nuosėdų. Vanduo per daug nešvarus arba per ilgai buvo bakelyje.	Nuvalykite keitiklį. Išvalykite vandens bakelį ir pripilkite švaraus vandens.
Prietaisas dirba triukšmingai.	Vandens bakelis įdėtas netinkamai. Bakelyje per mažai vandens. Prietaisas pastatytas ant nestabilaus paviršiaus.	Tinkamai įdėkite vandens bakelį ant pagrindo. Pripildykite vandens bakelį. Prietaisą pastatykite ant stabilaus ir lygaus paviršiaus.
Migla skleidžiama iš srities aplink purkštuką.	Yra tarpų tarp korpuso aplink purkštuką ir vandens bakelio viršaus.	Nuimkite purkštuką nuo vandens bakelio viršaus ir nuvalykite drėgna šluoste. Iš naujo uždėkite ant vandens bakelio.

Jei jūsų vanduo labai kietas (jame neįprastai daug mineralų), iš drėkintuvo gali būti skleidžiamos baltos dulkės. Tai nėra gedimas. Sprendimas – dažniau valyti vandens filtrą „W-01B“ arba naudoti minkštesnį vandenį, pavyzdžiui, distiliuotą. Galime rekomenduoti „Clean Air Optima“ oro valytuvus, daugiau informacijos apie juos rasite mūsų internetinėje svetainėje www.cleanairoptima.com

ĮSPĖJIMAS!

Jei pirmiau rekomenduojami sprendimai nepadeda, susisieki su „Clean Air Optima“ techninės pagalbos skyriumi jūsų regionui skirtu telefono numeriu. Nebandykite išmontuoti, iš naujo surinkti ar taisyti prietaiso, nes gali būti anuliuota garantija.

Specifikacijos

Modelis	CA-607B
Tinka patalpoms iki	65 m ² / 160 m ³ / 699 kvadratinų pėdų
Vardinė įtampa	220–240 V, 50 / 60 Hz
Vardinė galia	25 W – maks. 105 W
Oro drėkinimo galingumas	Min. 120 ml/h – maks. 480 ml/h
Aktyvaus deguonies	<0,05 milijonųjų
Garso lygis	Tylus ventiliatorius < 25 dB(A)
Matmenys	230 x 150 x 370 mm
Svoris	3,4 kg
Vandens bakelis	5,5 l
Spalva	Juoda su tamsinto stiklo vandens bakeliu
Atitinka ES reglamentus	CE, WEEE, RoHS

Naujausios informacijos apie pakuotės ir prietaiso šalinimą teiraukitės pardavėjo ar savivaldybės.



Klientų aptarnavimas

„Clean Air Optima®“ ultragarsinio drėkintuvo CA-607B garantinis sertifikatas.

Pirkimo data:
Kliento vardas, pavardė:
Adresas:
Telefonas:
El. paštas:
Pardavėjo pavadinimas:
Adresas:

1. Užpildykite visą šį garantinį pažymėjimą. Nusiųskite jį savo platintojui kartu su sąskaita faktūra ir prietaisu originalioje pakuotėje, iš anksto apmokėję siuntimo išlaidas. Nepamirškite prie siuntos pridėti grąžinimo pašto išlaidų kvito.

2. Trumpai aprašykite pažeidimą, triktį ar gedimą, taip pat aplinkybes, kaip ši problema iškilo.

Prieš išsiunčiant iš gamyklos, **Clean Air Optima® ultragarsinis drėkintuvas CA-607B** pereina griežtas patikrinimo procedūras. Jei per dvejus metus nuo pirkimo datos dėl gamybos defektų gaminio veikimas ima nebeatitikti specifikacijų, šį garantinį pažymėjimą pateikęs pirkėjas turi teisę į nemokamą remontą ar dalių keitimą (su sąlyga, kad veikimo triktis arba prietaiso ir (arba) jo dalių gedimas įvyko įprastomis naudojimo sąlygomis). Garantija taikoma: visoms dalims, kurioms nustatyti medžiagų ar gamybos defektai. Trukmė: dveji metai nuo pirkimo datos. Ką padarysime: sutaisysime arba pakeisime dalis su defektais.

Kitos sąlygos

Ši garantija pakeičia bet kokias kitas pareikštas ar numanomas rašytines arba žodines garantijas, įskaitant garantiją dėl tinkamumo prekybai ar konkrečiam tikslui. Maksimalūs gamintojo įsipareigojimai neviršys faktinės gaminio kainos, kurią už jį sumokėjote. Gamintojas jokių atvejų nebus atsakingas už specialiuosius, atsitiktinius, netiesioginius ar kaip pasekmę kilusius nuostolius. Ši garantija netaikoma defektams, atsiradusiems dėl netinkamo ar nepagrįsto naudojimo arba priežiūros, netinkamo surinkimo, nelaimingų atsitikimų, stichinių nelaimių, netinkamo pakavimo ar neleistino manipuliavimo prietaisu, taip pat dėl jo keitimo ar modifikavimo, kaip nustatome vien savo nuožiūra. Jei etiketė su serijos numeriu pašalinama ar sugadinama, ši garantija anuliuojama.

Jokiu būdu nedėkite gryną eterinių aliejų ar kitų priedų į vandens bakelį ar vandens dubenį! Netgi dėl mažo kiekio gali būti pažeistas plastikas ir atsirasti įtrūkimų.

Dėkojame, kad perskaitėte!



Pasidalykite savo mintimis apie „Clean Air Optima®“ ultragarsinį drėkintuvą „CA-607B“ adresu: www.cleanairoptima.com



Dažnai užduodamus klausimus apie „CA-607B“ rasite svetainėje www.cleanairoptima.com ieškodami „CA-607B“.



Atsisiųskite instrukcijas PDF formatu svetainėje: www.cleanairoptima.com/info/manuals



Visus „Clean Air Optima®“ animuotus vaizdo įrašus apie produktus galite peržiūrėti svetainėje www.youtube.com

Clean Air Optima International B.V. | David Ricardostraat 9-7 / 9-9 | 7559 SH Hengelo (ov)
Nyderlandai | Telefonas: +31 (0) 74 - 2670145

„Clean Air Optima Germany GmbH“ | Enschedestraße 14 | 48529 Nordhorn | Telefonas
Vokietijoje: +49 (0) 5921 879-121

A guarantee for healthy indoor air quality!



Designed in Germany

© 2019 Clean Air Optima®, All rights reserved, Made in P.R.C.

More info:
www.cleanairoptima.com



Trademarks owned by: Clean Air Optima Germany GmbH,
Enschedestraße 14, 48529 Nordhorn, Germany